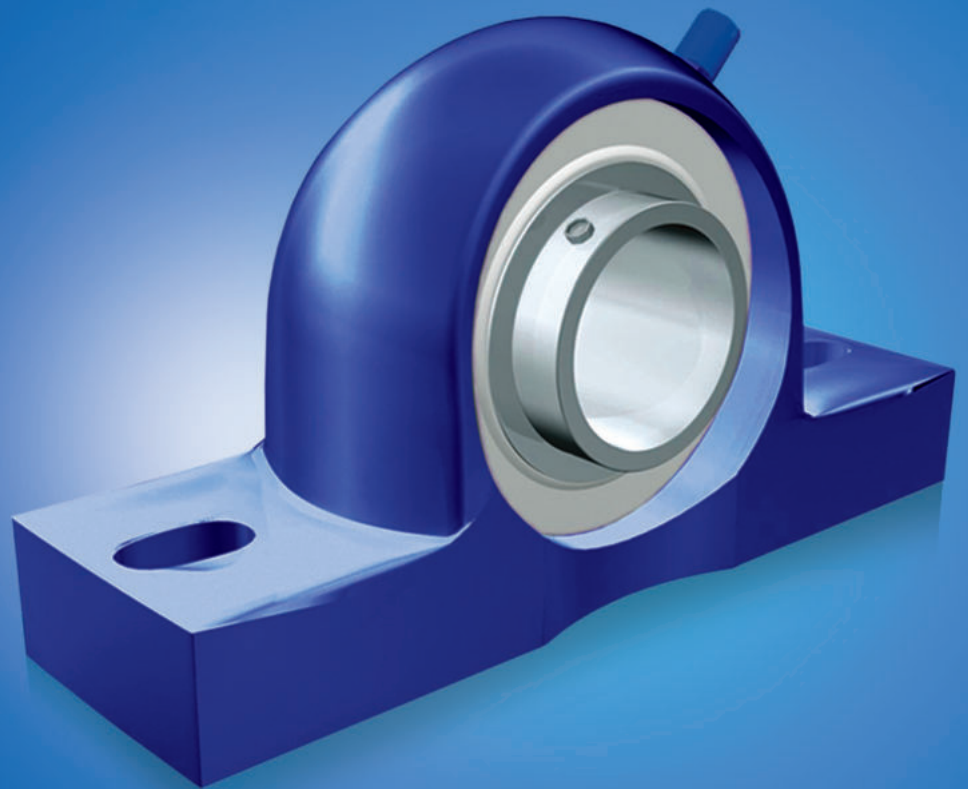


ZON™

BEARINGS FOR YOUR FUTURE



Paliers en Fonte





BEARINGS FOR YOUR FUTURE

Les roulements Zen sont fabriqués en accord avec les normes de qualité de plus haut niveau pour des applications standard et non standard. Notre service technique peut ajuster n'importe quel roulement non standard afin de l'adapter à vos nécessités, quelle qu'elle soit la quantité.

En plus de notre gamme de roulements miniature de plus de 1000 références, entre 1mm. et 10 mm., notre catalogue de produits contient aussi des roulements à section mince, des butées à billes, des roulements série populaire ainsi qu'un infinité de roulements non standard. Nous sommes en mesure de concevoir des roulements en concordance avec vos exigences en utilisant des nouveaux matériaux, tels que : céramiques ou aciers spéciaux pour différentes applications industrielles, médicales, chimiques ou de transformation alimentaire.

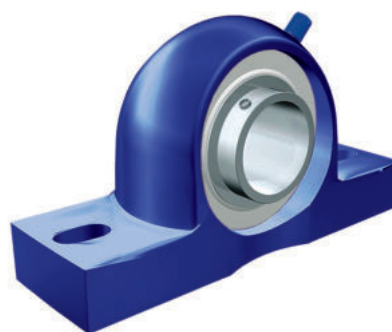
N'hésitez pas à contacter notre personnel commercial qualifié si jamais vous avez besoin d'une référence qui n'apparaît pas sur notre catalogue.



L'entreprise Zen Ball Bearings Shanghai a été gratifiée du certificat Aleman de qualité ISO TUV Rheinland pour l'inspection de ses propres produits Zen.

Ce certificat est l'une des plus hautes reconnaissances qu'une entreprise puisse atteindre dans notre secteur. Il s'agit d'un prix reconnu internationalement qui authentifie un haut niveau de qualité, orientation client et amélioration continue.

www.zen.biz



Paliers en Fonte

UCF200	3
UCFL200	5
UCP200	7



Conçu pour supporter de lourdes charges*



Lubrification graisse*



Version avec flasques en gomme disponible*

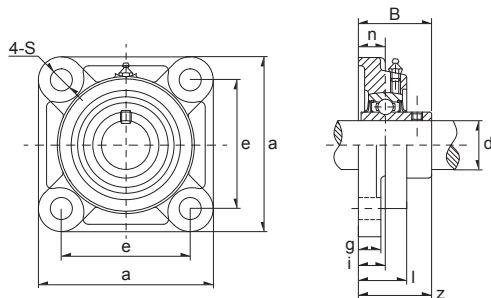


Version avec flasques métalliques disponible*

* Stainless Steel Inserts



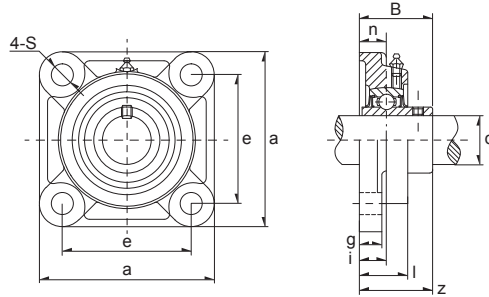
Paliers en Fonte UCF200



3

Ref Type	Dimension (mm / inch)						Bearing No.	Housing No.	Weight Kg	Weight lbs
	d inch	d mm	a	e	Bolt mm	Bolt inch				
UCF201-8	1/2		3 3/8	2 33/64		3/8	UC201-8	F204		1.3 lbs
UCF202-9	9/16		3 3/8	2 33/64		3/8	UC202-9	F204		1.3 lbs
UCF202-10	5/8		3 3/8	2 33/64		3/8	UC202-10	F204		1.3 lbs
UCF203-11	11/16		3 3/8	2 33/64		3/8	UC203-11	F204		1.3 lbs
UCF204-12	3/4		3 3/8	2 33/64		3/8	UC204-12	F204		1.3 lbs
UCF201		12.0	86	64	M10		UC201	F204	0.61 kg	
UCF202		15.0	86	64	M10		UC202	F204	0.61 kg	
UCF203		17.0	86	64	M10		UC203	F204	0.61 kg	
UCF204		20.0	86	64	M10		UC204	F204	0.61 kg	
UCF205-13	13/16		3 3/4	2 3/4		3/8	UC205-13	F205		1.80 lbs
UCF205-14	7/8		3 3/4	2 3/4		3/8	UC205-14	F205		1.80 lbs
UCF205-15	15/16		3 3/4	2 3/4		3/8	UC205-15	F205		1.80 lbs
UCF205-16	1		3 3/4	2 3/4		3/8	UC205-16	F205		1.80 lbs
UCF205		25.0	95	70	M10		UC205	F205	0.82 kg	
UCF206-17	1-1/6		4 1/4	3 17/64		3/8	UC206-17	F206		2.50 lbs
UCF206-18	1-1/8		4 1/4	3 17/64		3/8	UC206-18	F206		2.50 lbs
UCF206-19	1-3/16		4 1/4	3 17/64		3/8	UC206-19	F206		2.50 lbs
UCF206-20	1-1/4		4 1/4	3 17/64		3/8	UC206-20	F206		2.50 lbs
UCF206		30.0	108	83	M10		UC206	F206	1.13 kg	
UCF207-20	1-1/4		4 39/64	3 5/8		7/16	UC207-20	F207		3.10 lbs
UCF207-21	1-5/16		4 39/64	3 5/8		7/16	UC207-21	F207		3.10 lbs
UCF207-22	1-3/8		4 39/64	3 5/8		7/16	UC207-22	F207		3.10 lbs
UCF207-23	1-7/16		4 39/64	3 5/8		7/16	UC207-23	F207		3.10 lbs
UCF207		35.0	117	92	M12		UC207	F207	1.42 kg	
UCF208-24	1-1/2		5 1/8	4 1/64		1/2	UC208-24	F208		4.10 lbs
UCF208-25	1-9/16		5 1/8	4 1/64		1/2	UC208-25	F208		4.10 lbs
UCF208		40.0	130	102	M14		UC208	F208	1.87 kg	
UCF209-26	1-5/8		5 13/32	4 9/64		1/2	UC209-26	F209		4.70 lbs
UCF209-27	1-11/16		5 13/32	4 9/64		1/2	UC209-27	F209		4.70 lbs
UCF209-28	1-3/4		5 13/32	4 9/64		1/2	UC209-28	F209		4.70 lbs
UCF209		45.0	137	105	M14		UC209	F209	2.15 kg	
UCF210-29	1-13/16		5 5/8	4 3/8		1/2	UC210-29	F210		5.40 lbs
UCF210-30	1-7/8		5 5/8	4 3/8		1/2	UC210-30	F210		5.40 lbs

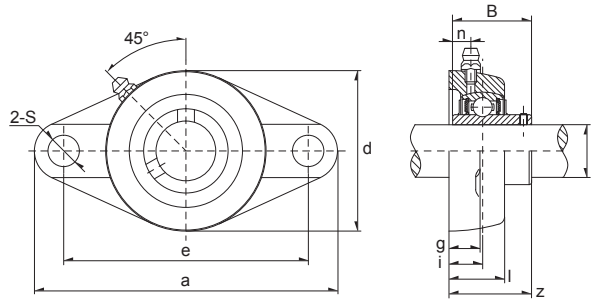
Paliers en Fonte UCF200



4

Ref Type	Dimension (mm / inch)						Bearing No.	Housing No.	Weight Kg	Weight lbs
	d inch	d mm	a	e	Bolt mm	Bolt inch				
UCF210-31	1-15/16		5 5/8	4 3/8		1/2	UC210-31	F210		5.40 lbs
UCF210-32	2		5 5/8	4 3/8		1/2	UC210-32	F210		5.40 lbs
UCF210		50.0	143	111	M14		UC210	F210	2.45 kg	
UCF211-32	2		6 3/8	5 1/8		5/8	UC211-32	F211		7.50 lbs
UCF211-33	2-1/16		6 3/8	5 1/8		5/8	UC211-33	F211		7.50 lbs
UCF211-34	2-1/8		6 3/8	5 1/8		5/8	UC211-34	F211		7.50 lbs
UCF211-35	2-3/16		6 3/8	5 1/8		5/8	UC211-35	F211		7.50 lbs
UCF211		55.0	162	130	M16		UC211	F211	3.4 kg	
UCF212-36	2-1/4		6 57/64	5 5/8		5/8	UC212-36	F212		9.20 lbs
UCF212-37	2-5/16		6 57/64	5 5/8		5/8	UC212-37	F212		9.20 lbs
UCF212-38	2-3/8		6 57/64	5 5/8		5/8	UC212-38	F212		9.20 lbs
UCF212-39	2-7/16		6 57/64	5 5/8		5/8	UC212-39	F212		9.20 lbs
UCF212		60.0	175	143	M16		UC212	F212	4.17 kg	
UCF213-40	2-1/2		7 23/54	5 55/64		5/8	UC213-40	F213		11.70 lbs
UCF213-41	2-9/16		7 23/54	5 55/64		5/8	UC213-41	F213		11.70 lbs
UCF213		65.0	187	149	M16		UC213	F213	5.32 kg	
UCF214-42	2-5/8		7 19/32	5 63/64		5/8	UC214-42	F214		13 lbs
UCF214-43	2-11/16		7 19/32	5 63/64		5/8	UC214-43	F214		13 lbs
UCF214-44	2-3/4		7 19/32	5 63/64		5/8	UC214-44	F214		13 lbs
UCF214		70.0	193	152	M16		UC214	F214	5.92 kg	
UCF215-45	2-13/16		7 7/8	6 17/64		5/8	UC215-45	F215		14.60 lbs
UCF215-46	2-7/8		7 7/8	6 17/64		5/8	UC215-46	F215		14.60 lbs
UCF215-47	2-15/16		7 7/8	6 17/64		5/8	UC215-47	F215		14.60 lbs
UCF215-48	3		7 7/8	6 17/64		5/8	UC215-48	F215		14.60 lbs
UCF215		75.0	200	159	M16		UC215	F215	6.65 kg	
UCF216-50	3-1/8		8 3/16	6 1/2		3/4	UC216-50	F216		17.4 lbs
UCF216		80.0	208	165	M20		UC216	F216	7.89 kg	
UCF217-52	3-1/4		8 21/32	6 57/64		3/4	UC217-52	F217		20.20 lbs
UCF217		85.0	220	175	M20		UC217	F217	9.18 kg	
UCF218-56	3-1/2		9 1/4	7 23/64		3/4	UC218-56	F218		24.7 lbs
UCF218		90.0	235	187	M20		UC218	F218	11.2 kg	
UCF220-64	4		10,4331	8,2677		7/8	UC220-64	F220		26.4 lbs
UCF220		100.0	265	210	M22		UC220	F220	12 kg	

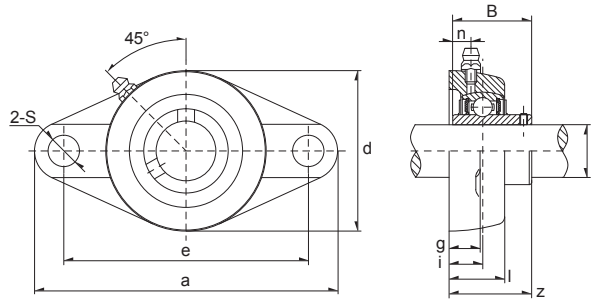
Paliers en Fonte UCFL200



5

Ref Type	Dimension (mm / inch)							Bearing No.	Housing No.	Weight Kg	Weight lbs
	b inch	b mm	a	e	d	Bolt mm	Bolt inch				
UCFL201-8	1/2		4 7/16	3 35/64	2 3/8		3/8	UC201-8	FL204		0.9 lbs
UCFL202-9	9/16		4 7/16	3 35/64	2 3/8		3/8	UC202-9	FL204		0.9 lbs
UCFL202-10	5/8		4 7/16	3 35/64	2 3/8		3/8	UC202-10	FL204		0.9 lbs
UCFL203-11	11/16		4 7/16	3 35/64	2 3/8		3/8	UC203-11	FL204		0.9 lbs
UCFL204-12	3/4		4 7/16	3 35/64	2 3/8		3/8	UC204-12	FL204		0.9 lbs
UCFL201		12.0	113	90	60	M10		UC201	FL204	0.4 kg	
UCFL202		15.0	113	90	60	M10		UC202	FL204	0.4 kg	
UCFL203		17.0	113	90	60	M10		UC203	FL204	0.4 kg	
UCFL204		20.0	113	90	60	M10		UC204	FL204	0.4 kg	
UCFL205-13	13/16		5 1/8	3 57/64	2 11/16		1/2	UC205-13	FL205		1.3 lbs
UCFL205-14	7/8		5 1/8	3 57/64	2 11/16		1/2	UC205-14	FL205		1.3 lbs
UCFL205-15	15/16		5 1/8	3 57/64	2 11/16		1/2	UC205-15	FL205		1.3 lbs
UCFL205-16	1		5 1/8	3 57/64	2 11/16		1/2	UC205-16	FL205		1.3 lbs
UCFL205		25.0	130	99	68	M14		UC205	FL205	0.6 kg	
UCFL206-17	1-1/16		5 13/16	4 39/64	3 5/32		1/2	UC206-17	FL206		2 lbs
UCFL206-18	1-1/8		5 13/16	4 39/64	3 5/32		1/2	UC206-18	FL206		2 lbs
UCFL206-19	1-3/16		5 13/16	4 39/64	3 5/32		1/2	UC206-19	FL206		2 lbs
UCFL206-20	1-1/4		5 13/16	4 39/64	3 5/32		1/2	UC206-20	FL206		2 lbs
UCFL206		30.0	148	117	80	M14		UC206	FL206	0.9 kg	
UCFL207-20	1-1/4		6 11/32	5 1/8	3 17/32		1/2	UC207-20	FL207		2.6 lbs
UCFL207-21	1-5/16		6 11/32	5 1/8	3 17/32		1/2	UC207-21	FL207		2.6 lbs
UCFL207-22	1-3/8		6 11/32	5 1/8	3 17/32		1/2	UC207-22	FL207		2.6 lbs
UCFL207-23	1-7/16		6 11/32	5 1/8	3 17/32		1/2	UC207-23	FL207		2.6 lbs
UCFL207		35.0	161	130	90	M14		UC207	FL207	1.20 kg	
UCFL208-24	1-1/2		6 7/8	5 43/64	3 15/16		1/2	UC208-24	FL208		3.3 lbs
UCFL208-25	1-9/16		6 7/8	5 43/64	3 15/16		1/2	UC208-25	FL208		3.3 lbs
UCFL208		40.0	175	144	100	M14		UC208	FL208	1.50 kg	
UCFL209-26	1-5/8		7 13/32	5 53/64	4 1/4		5/8	UC209-26	FL209		4.2 lbs
UCFL209-27	1-11/16		7 13/32	5 53/64	4 1/4		5/8	UC209-27	FL209		4.2 lbs
UCFL209-28	1-3/4		7 13/32	5 53/64	4 1/4		5/8	UC209-28	FL209		4.2 lbs
UCFL209		45.0	188	148	108	M16		UC209	FL209	1.90 kg	
UCFL210-29	1-13/16		7 3/4	6 3/16	4 17/32		5/8	UC210-29	FL210		4.4 lbs
UCFL210-30	1-7/8		7 3/4	6 3/16	4 17/32		5/8	UC210-30	FL210		4.4 lbs

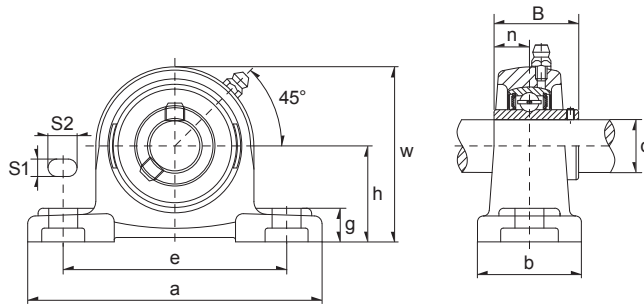
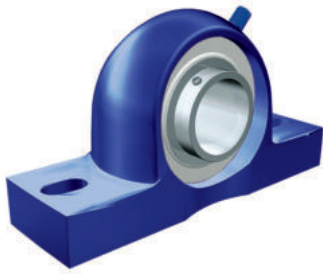
Paliers en Fonte UCFL200



6

Ref Type	Dimension (mm / inch)							Bearing No.	Housing No.	Weight Kg	Weight lbs
	b inch	b mm	a	e	d	Bolt mm	Bolt inch				
UCFL210-31	1-15/16		7 3/4	6 3/16	4 17/32		5/8	UC210-31	FL210		4.4 lbs
UCFL210-32	2		7 3/4	6 3/16	4 17/32		5/8	UC210-32	FL210		4.4 lbs
UCFL210		50.0	197	157	115	M16		UC210	FL210	2 kg	
UCFL211-32	2		8 13/16	7 1/4	5 1/8		5/8	UC211-32	FL211		6.4 lbs
UCFL211-33	2-1/16		8 13/16	7 1/4	5 1/8		5/8	UC211-33	FL211		6.4 lbs
UCFL211-34	2-1/8		8 13/16	7 1/4	5 1/8		5/8	UC211-34	FL211		6.4 lbs
UCFL211-35	2-3/16		8 13/16	7 1/4	5 1/8		5/8	UC211-35	FL211		6.4 lbs
UCFL211		55.0	224	184	130	M16		UC211	FL211	2.9 kg	
UCFL212-36	2-1/4		9 27/32	7 61/64	5 1/2		3/4	UC212-36	FL212		8.4 lbs
UCFL212-37	2-5/16		9 27/32	7 61/64	5 1/2		3/4	UC212-37	FL212		8.4 lbs
UCFL212-38	2-3/8		9 27/32	7 61/64	5 1/2		3/4	UC212-38	FL212		8.4 lbs
UCFL212-39	2-7/16		9 27/32	7 61/64	5 1/2		3/4	UC212-39	FL212		8.4 lbs
UCFL212		60.0	250	202	140	M20		UC212	FL212	3.8 kg	
UCFL213-40	2-1/2		10 5/32	8 17/64	6 3/32		3/4	UC213-40	FL213		11 lbs
UCFL213-41	2-9/16		10 5/32	8 17/64	6 3/32		3/4	UC213-41	FL213		11 lbs
UCFL213		65.0	258	210	155	M20		UC213	FL213	4.8 kg	
UCFL214-42	2-5/8		10 7/16	8 1/2	6 5/16		3/4	UC214-42	FL214		12 lbs
UCFL214-43	2-11/16		10 7/16	8 1/2	6 5/16		3/4	UC214-43	FL214		12 lbs
UCFL214-44	2-3/4		10 7/16	8 1/2	6 5/16		3/4	UC214-44	FL214		12 lbs
UCFL214		70.0	265	216	160	M20		UC214	FL214	5.4 kg	
UCFL215-45	2-13/16		10 13/16	8 55/64	6 1/2		3/4	UC215-45	FL215		13 lbs
UCFL215-46	2-7/8		10 13/16	8 55/64	6 1/2		3/4	UC215-46	FL215		13 lbs
UCFL215-47	2-15/16		10 13/16	8 55/64	6 1/2		3/4	UC215-47	FL215		13 lbs
UCFL215-48	3		10 13/16	8 55/64	6 1/2		3/4	UC215-48	FL215		13 lbs
UCFL215		75.0	275	225	165	M20		UC215	FL215	6 kg	
UCFL216-50	3-1/8		11 13/32	9 11/64	7 3/32		7/8	UC216-50	FL216		16 lbs
UCFL216		80.0	290	233	180	M22		UC216	FL216	7.4 kg	
UCFL217-52	3-1/4		12	9 49/64	7 15/32		7/8	UC217-52	FL217		19 lbs
UCFL217		85.0	305	248	190	M22		UC217	FL217	8.8 kg	
UCFL218-56	3-1/2		12 19/32	10 7/16	8 1/6		7/8	UC218-56	FL218		24 lbs
UCFL218		90.0	320	265	205	M22		UC218	FL218	11 kg	

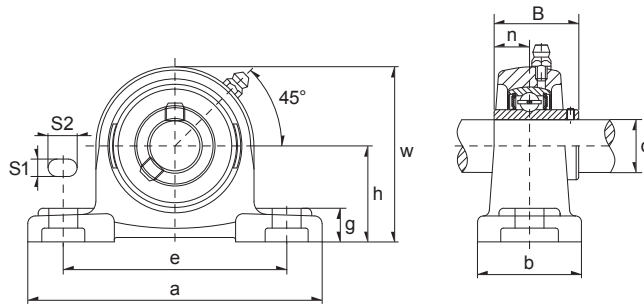
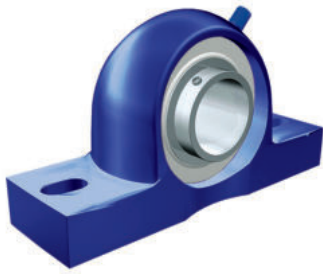
Paliers en Fonte UCP200



7

Ref Type	Dimension (mm / inch)							Bearing No.	Housing No.	Weight Kg	Weight lbs
	b inch	b mm	a	e	w	Bolt mm	Bolt inch				
UCP201-8	1/2		5	3 3/4	2 17/32		3/8	UC201-8	P203		1.52 lbs
UCP201		12.0	127	95	65	M10		UC201	P203	0.7 kg	
UCP202-9	9/16		5	3 3/4	2 17/32		3/8	UC202-9	P203		1.52 lbs
UCP202-10	5/8		5	3 3/4	2 17/32		3/8	UC202-10	P203		1.52 lbs
UCP202		15.0	127	95	65	M10		UC202	P203	0.69 kg	
UCP203-11	11/16		5	3 3/4	2 17/32		3/8	UC203-11	P203		1.5 lbs
UCP203		17.0	127	95	65	M10		UC203	P203	0.68 kg	
UCP204-12	3/4		5	3 3/4	2 17/32		3/8	UC204-12	P204		1.45 lbs
UCP204		20.0	127	95	65	M10		UC204	P204	0.66 kg	
UCP205-13	13/16		5 1/2	4 1/8	2 25/32		3/8	UC205-13	P205		1.80 lbs
UCP205-14	7/8		5 1/2	4 1/8	2 25/32		3/8	UC205-14	P205		1.80 lbs
UCP205-15	15/16		5 1/2	4 1/8	2 25/32		3/8	UC205-15	P205		1.80 lbs
UCP205-16	1		5 1/2	4 1/8	2 25/32		3/8	UC205-16	P205		1.80 lbs
UCP205		25.0	140	105	71	M10		UC205	P205	0.82 kg	
UCP206-17	1-1/16		6 1/2	4 3/4	3 5/16		1/2	UC206-17	P206		2.82 lbs
UCP206-18	1-1/8		6 1/2	4 3/4	3 5/16		1/2	UC206-18	P206		2.82 lbs
UCP206-19	1-3/16		6 1/2	4 3/4	3 5/16		1/2	UC206-19	P206		2.82 lbs
UCP206-20	1-1/4		6 1/2	4 3/4	3 5/16		1/2	UC206-20	P206		2.82 lbs
UCP206		30.0	165	121	84	M14		UC206	P206	1.27 kg	
UCP207-20	1-1/4		6 9/16	5	3 21/32		1/2	UC207-20	P207		3.64 lbs
UCP207-21	1-5/16		6 9/16	5	3 21/32		1/2	UC207-21	P207		3.64 lbs
UCP207-22	1-3/8		6 9/16	5	3 21/32		1/2	UC207-22	P207		3.64 lbs
UCP207-23	1-7/16		6 9/16	5	3 21/32		1/2	UC207-23	P207		3.64 lbs
UCP207		35.0	167	127	93	M14		UC207	P207	1.64 kg	
UCP208-24	1-1/2		7 1/4	5 13/32	3 27/32		1/2	UC208-24	P208		4.29 lbs
UCP208-25	1-9/16		7 1/4	5 13/32	3 27/32		1/2	UC208-25	P208		4.29 lbs
UCP208		40.0	184	137	98	M14		UC208	P208	1.93 kg	
UCP209-26	1-5/8		7 15/32	5 3/4	4 3/16		1/2	UC209-26	P209		4.98 lbs
UCP209-27	1-11/16		7 15/32	5 3/4	4 3/16		1/2	UC209-27	P209		4.98 lbs
UCP209-28	1-3/4		7 15/32	5 3/4	4 3/16		1/2	UC209-28	P209		4.98 lbs
UCP209		45.0	190	146	106	M14		UC209	P209	2.24 kg	
UCP210-29	1-13/16		8 1/8	6 1/4	4 7/16		5/8	UC210-29	P210		6.18 lbs
UCP210-30	1-7/8		8 1/8	6 1/4	4 7/16		5/8	UC210-30	P210		6.18 lbs

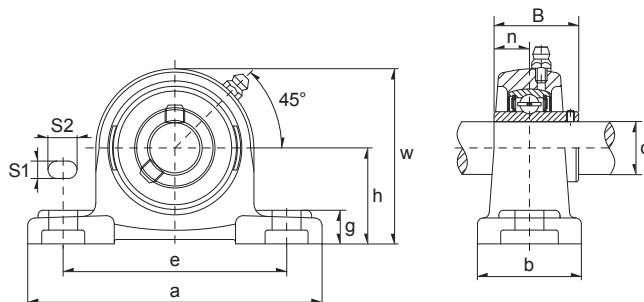
Paliers en Fonte UCP200



8

Ref Type	Dimension (mm / inch)							Bearing No.	Housing No.	Weight Kg	Weight lbs
	b inch	b mm	a	e	w	Bolt mm	Bolt inch				
UCP210-31	1-15/16		8 1/8	6 1/4	4 7/16		5/8	UC210-31	P210		6.18 lbs
UCP210-32	2		8 1/8	6 1/4	4 7/16		5/8	UC210-32	P210		6.18 lbs
UCP210		50.0	206	159	113	M16		UC210	P210	2.78 kg	
UCP211-32	2		8 5/8	6 23/32	4 29/32		5/8	UC211-32	P211		7.69 lbs
UCP211-33	2-1/16		8 5/8	6 23/32	4 29/32		5/8	UC211-33	P211		7.69 lbs
UCP211-34	2-1/8		8 5/8	6 23/32	4 29/32		5/8	UC211-34	P211		7.69 lbs
UCP211-35	2-3/16		8 5/8	6 23/32	4 29/32		5/8	UC211-35	P211		7.69 lbs
UCP211		55.0	219	171	125	M16		UC211	P211	3.46 kg	
UCP212-36	2-1/4		9 1/2	7 1/4	5 7/16		5/8	UC212-36	P212		11 lbs
UCP212-37	2-5/16		9 1/2	7 1/4	5 7/16		5/8	UC212-37	P212		11 lbs
UCP212-38	2-3/8		9 1/2	7 1/4	5 7/16		5/8	UC212-38	P212		11 lbs
UCP212-39	2-7/16		9 1/2	7 1/4	5 7/16		5/8	UC212-39	P212		11 lbs
UCP212		60.0	241	184	138	M16		UC212	P212	4.95 kg	
UCP213-40	2-1/2		10 7/16	8	5 29/32		3/4	UC213-40	P213		11.64 lbs
UCP213-41	2-9/16		10 7/16	8	5 29/32		3/4	UC213-41	P213		11.64 lbs
UCP213		65.0	265	203	150	M20		UC213	P213	5.24 kg	
UCP214-42	2-5/8		10 15/32	8 9/32	6 5/32		3/4	UC214-42	P214		14.24 lbs
UCP214-43	2-11/16		10 15/32	8 9/32	6 5/32		3/4	UC214-43	P214		14.24 lbs
UCP214-44	2-3/4		10 15/32	8 9/32	6 5/32		3/4	UC214-44	P214		14.24 lbs
UCP214		70.0	266	210	156	M20		UC214	P214	6.41 kg	
UCP215-45	2-13/16		10 13/16	8 17/32	6 3/8		3/4	UC215-45	P215		16.47 lbs
UCP215-46	2-7/8		10 13/16	8 17/32	6 3/8		3/4	UC215-46	P215		16.47 lbs
UCP215-47	2-15/16		10 13/16	8 17/32	6 3/8		3/4	UC215-47	P215		16.47 lbs
UCP215-48	3		10 13/16	8 17/32	6 3/8		3/4	UC215-48	P215		16.47 lbs
UCP215		75.0	264,3	217	162	M20		UC215	P215	7.41 kg	
UCP216-49	3-1/16		11 1/2	9 1/8	6 27/32		3/4	UC216-49	P216		18.40 lbs
UCP216-50	3-1/8		11 1/2	9 1/8	6 27/32		3/4	UC216-50	P216		18.40 lbs
UCP216-51	3-3/16		11 1/2	9 1/8	6 27/32		3/4	UC216-51	P216		18.40 lbs
UCP216		80.0	292	232	174	M20		UC216	P216	8.28 kg	
UCP217-52	3-1/4		12 7/32	9 23/32	7 9/32		3/4	UC217-52	P217		21.98 lbs
UCP217-53	3-5/16		12 7/32	9 23/32	7 9/32		3/4	UC217-53	P217		21.98 lbs
UCP217-55	3-7/16		12 7/32	9 23/32	7 9/32		3/4	UC217-55	P217		21.98 lbs
UCP217		85.0	310	247	185	M20		UC217	P217	9.89 kg	

Paliers en Fonte UCP200



9

Ref Type	Dimension (mm / inch)							Bearing No.	Housing No.	Weight Kg	Weight lbs
	b inch	b mm	a	e	w	Bolt mm	Bolt inch				
UCP218-56	3-1/2		12 7/8	10 5/16	7 25/32		7/8	UC218-56	P218		26.82 lbs
UCP218		90.0	327	262	198	M22		UC218	P218	12.07 kg	
UCP220-64	4		14,9606	12,0079	8,8583		15/16	UC220-64	P220		36.55 lbs
UCP220		100.0	380	305	225	M24		UC220	P220	16 kg	

www.zen.biz

Tous droits réservés.
Aucune partie du catalogue ne
peut être copiée, extraite ou
modifiée sans autorisation explicite
du détenteur du copyright.

v.10 / 18



Bearings for your future