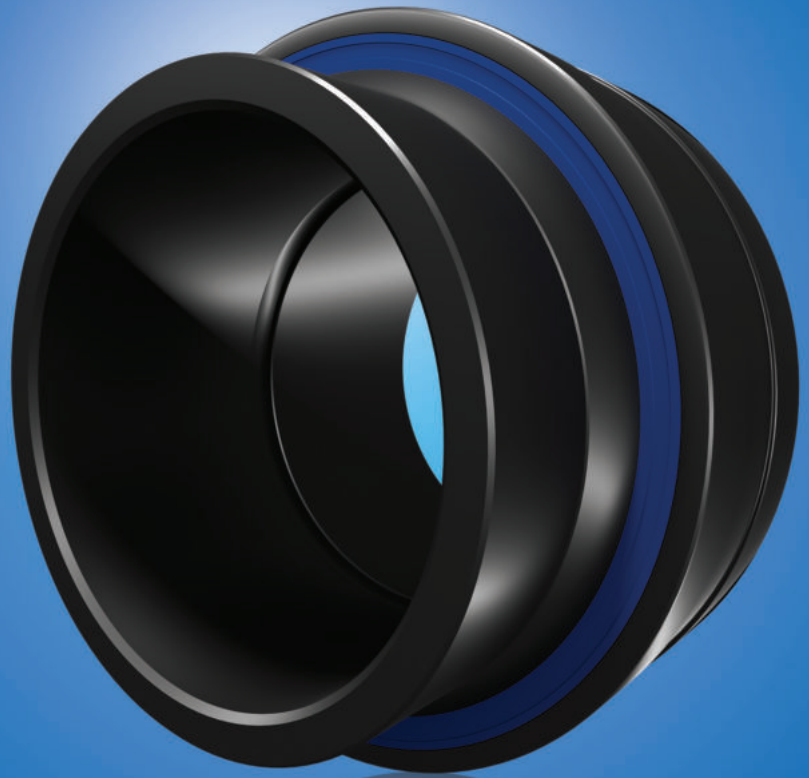


ZON™

BEARINGS FOR YOUR FUTURE



Cabezas de Rótula





BEARINGS FOR YOUR FUTURE

Los Rodamientos de Bolas Zen están fabricados con los niveles más exigentes de calidad, tanto para aplicaciones standard como para aplicaciones especiales.

Además de nuestra extensa gama de más de 10000 tipos diferentes de Rodamientos de Bolas en Miniatura, entre 1 mm. y 10 mm., nuestro Catalogo de Productos también incluye Rodamientos de Sección Estrecha, Rodamientos Axiales, Rodamientos Rígidos de Bolas Populares y un sinfín de Rodamientos no standard.

Podemos diseñar rodamientos adaptados de acuerdo a sus necesidades utilizando materiales cerámicos o Aceros especiales para diferentes aplicaciones Industriales, médicas, químicas o de procesamiento de alimentos.

Nuestro Departamento Técnico puede diseñar cualquier pieza no standard para adaptarse a sus necesidades, sin importar la cantidad mínima.

Si no encuentra algún producto en nuestro catálogo, contacte con nuestro experto equipo de ventas.



Cabezas de Rótula



Lubricación por Aceite



Adecuado para soportar grandes cargas



Version con obturaciones de goma disponible



Zen Ball Bearings Shanghai, ha obtenido la Certificación Alemana ISO TUV Rheinland para la Inspección de los productos ZEN.

Esta Certificación es el reconocimiento mas elevado que una empresa de nuestra industria puede conseguir. Se reconoce internacionalmente como garantía de calidad, atención al cliente y mejora continua.

www.zen.biz

Índice

Cabezas de Rótula Libres de Mantenimiento

GAKR...PW / GAKL...PW	4
GAR...UK (2RS) / GAL...UK / GIKPR...PW	9
GIKR...PW / GIKL...PW / GIKSR...PS	13
GIR...UK (2RS) / GIL...UK (2RS)	17

Cabezas de Rótula con Mantenimiento

GAKR...PB / GAKL...PB	5
GAR...DO (2RS) / GAL...DO (2RS)	7
GIKR...PB / GIKL...PB	12
GIR...DO (2RS) / GIL...DO (2RS)	15

Cabezas de Rótula Hidráulicas libres de Mantenimiento

GIHRK...UK (2RS)	22
------------------	----

Cabezas de Rótula Hidráulicas con Mantenimiento

GF...DO	19
GIHNRK...LO	20
GIHRK...DO	21
GK...DO	23

Rótula Axial Esferica sin Mantenimiento

GE...AW	24
---------	----

Rótula Axial Esferica con Mantenimiento

GE...AX	25
---------	----

Rótula de Contacto Angular libre de Mantenimiento

GE...SW	26
---------	----

Rótula de Contacto Angular con Mantenimiento

GE...SX	27
---------	----

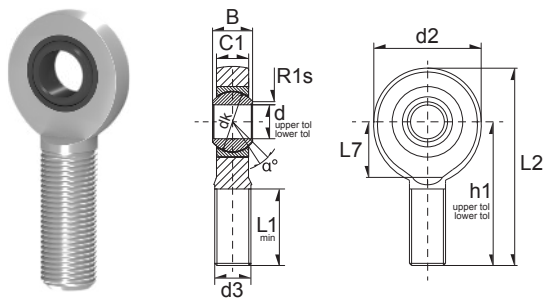
Rótula Radial Esférica con Mantenimiento

GE...DO (2RS)	28
GE...FO (2RS)	30
GE...HO (2RS)	34
GE...LO	35
GE...PB	36
GE...ZO	40
GE...ES	41

Rótula Radial Esférica libre de Mantenimiento

GE...FW (2RS)	32
GE...PW	37
GE...UK (2RS)	38
GE...E / GE...C	43

Cabezas de Rótula Libres de Mantenimiento



(MF) = Maintenance Free
(RM) = Requiring Maintenance

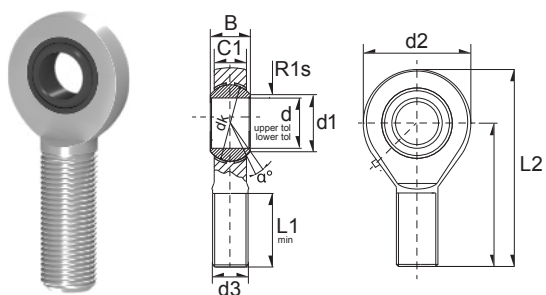


4

Ref	Dimension (mm)												α°	*Load Rating		Weight (g) approx.
	d	d2	L2	B	C1	D	d1	d3	dk	h	L1	L7		C, dyn. N	C, stat. N	
GAKR5-PW	5	18	42	8	6	19	7.7	M5x0,8	11.110	33	19	-	13	5130	5400	13 g
GAKR6-PW	6	20	46	9	6.75	16	9.	M6	12.700	36	21	-	13	6975	6237	22 g
GAKR8-PW	8	24	54	12	9	19	10.4	M8	15.875	42	25	-	14	11610	11610	42 g
GAKR10-PW	10	28	62	14	10.5	22	12.9	M10	19.050	48	28	-	13	16290	16650	69 g
GAKR12-PW	12	32	70	16	12	26	15.4	M12	22.225	54	32	-	13	21600	18720	110 g
GAKR14-PW	14	36	78	19	13.5	28	16.9	M14	25.400	60	36	18	16	27900	28800	160 g
GAKR16-PW	16	42	87	21	15	32	19.4	M16	28.575	66	37	23	15	34740	40770	230 g
GAKR18-PW	18	46	95	23	16.5	35	21.8	M18X1.5	31.750	72	41	25	15	42570	42300	280 g
GAKR20-PW	20	50	103	25	18	40	24.4	M20x1,5	34.925	78	45	26	14	50940	41040	390 g
GAKR22-PW	22	54	111	28	20	42	25.8	M22x1,5	38.100	84	48	27	15	61740	54990	480 g
GAKR25-PW	25	60	124	31	22	47	29.6	M24x2	42.850	94	55	32	15	76320	65610	670 g
GAKR30-PW	30	70	145	37	25	55	34.8	M30x2	50.800	110	66	37	17	102600	86310	1100 g

Ref	Dimension (mm)												α°	*Load Rating		Weight (g) approx.
	d	d2	L2	B	C1	D	d1	d3	dk	h	L1	L7		C, dyn. N	C, stat. N	
GAKL5-PW	5	18	42	8	6	19	7.7	M5x0,8	11.110	33	19	-	13	5130	5400	13 g
GAKL6-PW	6	20	46	9	6.75	16	8.9	M6x1,0	12.700	36	21	-	13	6975	6237	22 g
GAKL8-PW	8	24	54	12	9	19	10.3	M8x1,25	15.875	42	25	-	14	11610	11610	42 g
GAKL10-PW	10	28	62	14	10.5	22	12.9	M10x1,5	19.050	48	28	-	13	16290	16650	69 g
GAKL12-PW	12	32	70	16	12	26	15.4	M12x1,75	22.225	54	32	-	13	21600	18720	110 g
GAKL14-PW	14	36	78	19	13.5	28	16.8	M14x2,0	25.400	60	36	18	16	27900	28800	160 g
GAKL16-PW	16	42	87	21	15	32	19.3	M16x2,0	28.575	66	37	21	15	34740	40770	230 g
GAKL18-PW	18	44	94	23	16.5	35	21.8	M18x1,5	31.750	72	41	22	15	42570	42300	280 g
GAKL20-PW	20	50	103	25	18	40	24.3	M20x1,5	34.925	78	45	25	14	50940	41040	390 g
GAKL22-PW	22	54	111	28	20	42	25.8	M22x1,5	38.100	84	48	27	15	61740	54990	480 g
GAKL25-PW	25	60	124	31	22	47	29.5	M24x2,0	42.860	94	55	30	15	76320	65610	670 g
GAKL30-PW	30	70	145	37	25	55	34.8	M30x2,0	50.800	110	66	35	17	102600	86310	1100 g

Cabezas de Rótula con Mantenimiento



(MF) = Maintenance Free
(RM) = Requiring Maintenance

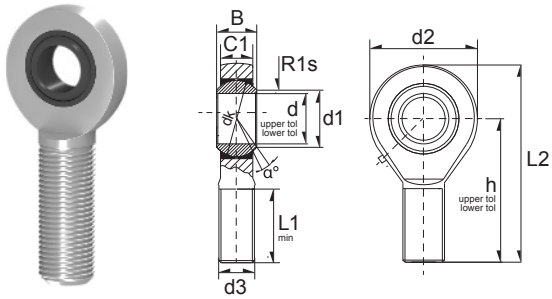


5

Ref	Dimension (mm)														α°	*Load Rating		Weight (g) approx.
	d	d2	L2	B	C1	D	d1	d3	dk	h	L1	L7	R1	C, dyn. N		C, stat. N		
GAKR5-PB	5	18	42	8	6	16	7.7	M5x0,8	11.11	33	19	-	0.3	13	5130	5400	13 g	
GAKR6-PB	6	20	46	9	6.75	16	8.9	M6	12.7	36	21	-	0.3	13	3888	6237	20 g	
GAKR8-PB	8	24	54	12	9	19	10.3	M8	15.875	42	25	-	0.3	14	6426	11610	38 g	
GAKR10-PB	10	28	62	14	10.5	22	12.9	M10	19.05	48	28	-	0.3	13	9000	16650	55 g	
GAKR12-PB	12	32	70	16	12	26	15.4	M12	22.225	54	32	-	0.3	13	11970	18720	85 g	
GAKR14-PB	14	36	78	19	3.5	28	16.8	M14	25.4	60	36	18	0.3	16	15390	28800	140 g	
GAKR16-PB	16	42	87	21	15	32	19.3	M16	28.575	66	37	23	0.3	15	19260	40770	210 g	
GAKR18-PB	18	46	95	23	16.5	35	21.8	M18X1.5	31.75	72	41	25	0.3	15	23580	42300	280 g	

Ref	Dimension (mm)														α°	*Load Rating		Weight (g) approx.
	d	d2	L2	B	C1	D	d1	d3	dk	h	L1	L7	R1	C, dyn. N		C, stat. N		
GAKL5-PB	5	18	42	8	6	16	7.7	M5x0,8	11.11	33	19	-	0.3	13	5130	5400	13 g	
GAKL6-PB	6	20	46	9	6.75	16	8.9	M6	12.7	36	21	-	0.3	13	3888	6237	20 g	
GAKL8-PB	8	24	54	12	9	19	10.3	M8	15,875	42	25	-	0.3	14	6426	11610	38 g	
GAKL10-PB	10	28	62	14	10.5	22	12.9	M10	19.05	48	28	-	0.3	13	9000	16650	55 g	
GAKL12-PB	12	32	70	16	12	26	15.4	M12	22,225	54	32	-	0.3	13	11970	18720	85 g	
GAKL14-PB	14	36	78	19	13.5	28	16.8	M14	25.4	60	36	18	0.3	16	15390	28800	140 g	
GAKL16-PB	16	42	87	21	15	32	19.3	M16	28,575	66	37	21	0.3	15	19260	40770	210 g	
GAKL18-PB	18	44	94	23	16.5	35	21.8	M18X1.5	31.75	72	41	22	0.3	15	23580	42300	280 g	

Cabezas de Rótula con Mantenimiento



(MF) = Maintenance Free
(RM) = Requiring Maintenance

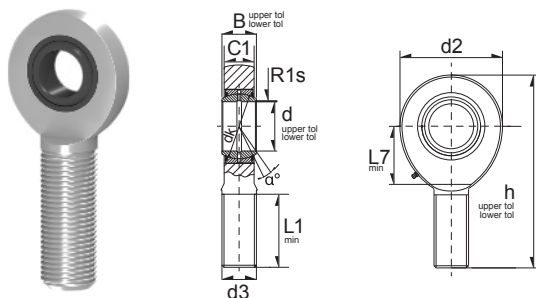


6

Ref	Dimension (mm)													α°	*Load Rating		Weight (g) approx.
	d	d2	L2	B	C1	D	d1	d3	Dk	h	L1	L7	R1		C, dyn. N	C, stat. N	
GAKR20-PB	20	50	103	25	18	40	24.3	M20X1.5	34.925	78	45	26	0.3	14	28260	41040	380 g
GAKR22-PB	22	54	111	28	20	42	25.8	M22X1.5	38.1	84	48	29	0.3	15	34290	54990	480 g
GAKR25-PB	25	60	124	31	22	47	29.5	M24X2	42.85	94	55	32	0.3	15	42390	65610	640 g
GAKR30-PB	30	70	145	37	25	55	34.8	M30X2	50.8	110	66	37	0.3	28	57150	86310	1100 g

Ref	Dimension (mm)													α°	*Load Rating		Weight (g) approx.
	d	d2	L2	B	C1	D	d1	d3	Dk	h	L1	L7	R1		C, dyn. N	C, stat. N	
GAKL20-PB	20	50	103	25	18	40	24.3	M20X1.5	34.925	78	45	26	0.3	14	28260	41040	380 g
GAKL22-PB	22	54	111	28	20	42	25.8	M22X1.5	38.1	84	48	29	0.3	15	34290	54990	480 g
GAKL25-PB	25	60	124	31	22	47	29.5	M24X2	42.85	94	55	32	0.3	15	42390	65610	640 g
GAKL30-PB	30	70	145	37	25	55	34.8	M30X2	50.8	110	66	37	0.3	28	57150	86310	1100 g

Cabezas de Rótula con Mantenimiento



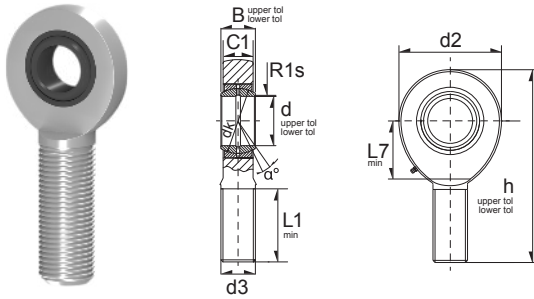
(MF) = Maintenance Free   
 (RM) = Requiring Maintenance

7

Ref	Dimension (mm)												α°	*Load Rating		Weight (g) approx.
	d	d2	L2	B	C1	D	d1	d3	Dk	h	L1	L7		C, dyn. N	C, stat. N	
GAR17-DO-2RS	17	46	92	14	11	30	20.7	M16	25	69	36	23	10	19170	50850	210 g
GAR20-DO-2RS	20	53	104.5	16	13	35	24.2	M2X1,5	29	78	43	27	9	26640	68040	330 g
GAR25-DO-2RS	25	64	126	20	17	42	29.3	M24X2	35.5	94	53	32	7	43470	79470	600 g
GAR30-DO-2RS	30	73	146.5	22	19	47	34.2	M30X2	40.7	110	65	37	6	56070	107100	950 g
GAR35-DO-2RS	35	82	181	25	21	55	39.8	M36X3	47	140	82	42	6	71910	143100	1530 g
GAR40-DO-2RS	40	92	196	28	23	62	45	M39X3	53	150	86	48	7	89190	174600	1970 g
GAR45-DO-2RS	45	102	214	32	27	68	50.8	M42X3	60	163	94	52	7	115200	233100	2660 g
GAR50-DO-2RS	50	112	241	35	30	75	56	M45X3	66	185	107	60	6	141300	282600	3530 g
GAR60-DO-2RS	60	135	277.5	44	38	90	66.8	M52X3	80	210	115	75	6	220500	436500	5920 g
GAR70-DO-2RS	70	160	315	49	42	105	77.9	M56X4	92	235	125	87	6	281700	507600	8510 g
GAR80-DO-2RS	80	180	360	55	47	120	89.4	M64X4	105	270	140	100	6	361800	621000	12500 g

Ref	Dimension (mm)												α°	*Load Rating		Weight (g) approx.
	d	d2	L2	B	C1	D	d1	d3	Dk	h	L1	L7		C, dyn. N	C, stat. N	
GAL17-DO-2RS	17	46	92	14	11	30	20.7	M16	25	69	36	23	10	19170	50850	210 g
GAL20-DO-2RS	20	53	104.5	16	13	35	24.2	M2X1,5	29	78	43	27	9	26640	68040	330 g
GAL25-DO-2RS	25	64	126	20	17	42	29.3	M24X2	35.5	94	53	32	7	43470	79470	600 g
GAL30-DO-2RS	30	73	146.5	22	19	47	34.2	M30X2	40.7	110	65	37	6	56070	107100	950 g
GAL35-DO-2RS	35	82	181	25	21	55	39.8	M36X3	47	140	82	42	6	71910	143100	1530 g
GAL40-DO-2RS	40	92	196	28	23	62	45	M39X3	53	150	86	48	7	89190	174600	1970 g
GAL45-DO-2RS	45	102	214	32	27	68	50.8	M42X3	60	163	94	52	7	115200	233100	2660 g
GAL50-DO-2RS	50	112	241	35	30	75	56	M45X3	66	185	107	60	6	141300	282600	3530 g
GAL60-DO-2RS	60	135	277.5	44	38	90	66.8	M52X3	80	210	115	75	6	220500	436500	5920 g
GAL70-DO-2RS	70	160	315	49	42	105	77.9	M56X4	92	235	125	87	6	281700	507600	8510 g
GAL80-DO-2RS	80	180	360	55	47	120	89.4	M64X4	105	270	140	100	6	361800	621000	12500 g

Cabezas de Rótula con Mantenimiento



(MF) = Maintenance Free
(RM) = Requiring Maintenance

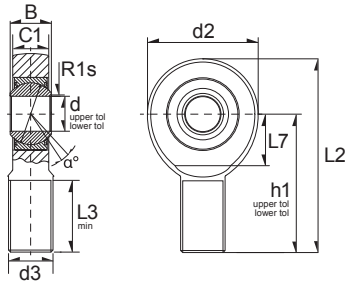


8

Ref	Dimension (mm)												α°	*Load Rating		Weight (g) approx.
	d	d2	L2	B	C1	D	d1	d3	Dk	h	L1	L7		C, dyn. N	C, stat. N	
GAR6-DO	6	21	46.5	6	4.4	14	8	M6	10	36	18	12	13	3060	6237	18 g
GAR8-DO	8	24	54	8	6	16	10.2	M8	13	42	22	14	15	5031	11610	33 g
GAR10-DO	10	29	62.5	9	7	19	13.2	M10	16	48	26	15	12	7344	18540	56 g
GAR12-DO	12	34	71	10	8	22	14.9	M12	18	54	28	18	11	9720	27180	86 g
GAR15-DO	15	40	83	12	10	26	18.4	M14	22	63	34	20	8	15210	37440	150 g
GAR17-DO	17	46	92	14	11	30	20.7	M16	25	69	36	23	10	19170	50850	210 g
GAR20-DO	20	53	104.5	16	13	35	24.2	M20X1,5	29	78	43	27	9	26640	68040	330 g
GAR25-DO	25	64	126	20	17	42	29.3	M24X2	35.5	94	53	32	7	43470	79470	600 g
GAR30-DO	30	73	146.5	22	19	47	34.2	M30X2	40.7	110	65	37	6	56070	107100	950 g

Ref	Dimension (mm)												α°	*Load Rating		Weight (g) approx.
	d	d2	L2	B	C1	D	d1	d3	Dk	h	L1	L7		C, dyn. N	C, stat. N	
GAL6-DO	6	21	46.5	6	4.4	14	8	M6	10	36	18	12	13	3060	6237	18 g
GAL8-DO	8	24	54	8	6	16	10.2	M8	13	42	22	14	15	5031	11610	33 g
GAL10-DO	10	29	62.5	9	7	19	13.2	M10	16	48	26	15	12	7344	18540	56 g
GAL12-DO	12	34	71	10	8	22	14.9	M12	18	54	28	18	11	9720	27180	86 g
GAL15-DO	15	40	83	12	10	26	18.4	M14	22	63	34	20	8	15210	37440	150 g
GAL17-DO	17	46	92	14	11	30	20.7	M16	25	69	36	23	10	19170	50850	210 g
GAL20-DO	20	53	104.5	16	13	35	24.2	M20X1,5	29	78	43	27	9	26640	68040	330 g
GAL25-DO	25	64	126	20	17	42	29.3	M24X2	35.5	94	53	32	7	43470	79470	600 g
GAL30-DO	30	73	146.5	22	19	47	34.2	M30X2	40.7	110	65	37	6	56070	107100	950 g

Cabezas de Rótula Libres de Mantenimiento



(MF) = Maintenance Free
(RM) = Requiring Maintenance

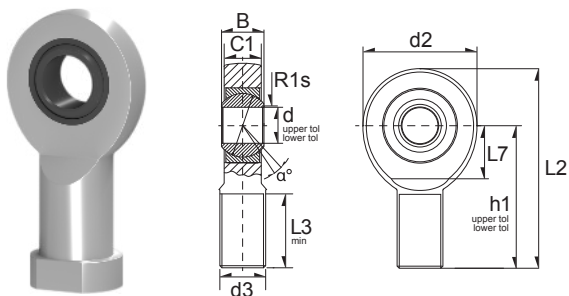


9

Ref	Dimension (mm)												α°	*Load Rating		Weight (g) approx.
	d	d2	L2	B	C1	D	d1	d3	Dk	h	L1	L7		C, dyn. N	C, stat. N	
GAR17-UK-2RS	17	46	92	14	11	30	20.7	M16	25	69	36	23	10	20250	50850	200 g
GAR20-UK-2RS	20	53	104.5	16	13	35	24.2	M20X1,5	29	78	43	27	9	28170	68040	330 g
GAR25-UK-2RS	25	64	126	20	17	42	29.3	M24X2	35.5	94	53	32	7	45990	94500	590 g
GAR30-UK-2RS	30	73	146.5	22	19	47	34.2	M30X2	40.7	110	65	37	6	59310	125100	930 g
GAR35-UK-2RS	35	82	181	25	21	55	39.8	M36X3	47	140	82	42	6	189000	143100	1530 g
GAR40-UK-2RS	40	92	196	28	23	62	45	M39X3	53	150	86	48	7	249300	174600	1970 g
GAR45-UK-2RS	45	102	214	32	27	68	50.8	M42X3	60	163	94	52	7	324000	233100	2650 g
GAR50-UK-2RS	50	112	241	35	30	75	56	M45X3	66	185	107	60	6	397800	281700	3530 g
GAR60-UK-2RS	60	135	277.5	44	38	90	66.8	M52X3	80	210	115	75	6	621000	436500	5910 g
GAR70-UK-2RS	70	160	315	49	42	105	77.9	M56X4	92	235	125	87	6	796500	507600	8510 g
GAR80-UK-2RS	80	180	360	55	47	120	89.4	M64X4	105	270	140	100	6	1012500	620100	12500 g

Ref	Dimension (mm)												α°	*Load Rating		Weight (g) approx.
	d	d2	L2	B	C1	D	d1	d3	Dk	h	L1	L7		C, dyn. N	C, stat. N	
GAL17-UK-2RS	17	46	92	14	11	30	20.7	M16	25	69	36	23	10	20250	50850	200 g
GAL20-UK-2RS	20	53	104.5	16	13	35	24.2	M20X1,5	29	78	43	27	9	28170	68040	330 g
GAL25-UK-2RS	25	64	126	20	17	42	29.3	M24X2	35.5	94	53	32	7	45990	94500	590 g
GAL30-UK-2RS	30	73	146.5	22	19	47	34.2	M30X2	40.7	110	65	37	6	59310	125100	930 g
GAL35-UK-2RS	35	82	181	25	21	55	39.8	M36X3	47	140	82	42	6	189000	143100	1530 g
GAL40-UK-2RS	40	92	196	28	23	62	45	M39X3	53	150	86	48	7	249300	174600	1970 g
GAL45-UK-2RS	45	102	214	32	27	68	50.8	M42X3	60	163	94	52	7	324000	233100	2650 g
GAL50-UK-2RS	50	112	241	35	30	75	56	M45X3	66	185	107	60	6	397800	281700	3530 g
GAL60-UK-2RS	60	135	277.5	44	38	90	66.8	M52X3	80	210	115	75	6	621000	436500	5910 g
GAL70-UK-2RS	70	160	315	49	42	105	77.9	M56X4	92	235	125	87	6	796500	507600	8510 g
GAL80-UK-2RS	80	180	360	55	47	120	89.4	M64X4	105	270	140	100	6	1012500	620100	12500 g

Cabezas de Rótula Libres de Mantenimiento



(MF) = Maintenance Free
(RM) = Requiring Maintenance

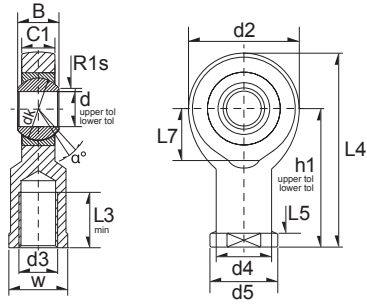


10

Ref	Dimension (mm)													*Load Rating		Weight (g) approx.
	d	d2	L2	B	C1	D	d1	d3	Dk	h	L1	L7	α°	C, dyn. N	C, stat. N	
GAR6-UK	6	21	46.5	6	4.4	14	8	M6	10	36	18	12	13	3240	6237	18 g
GAR8-UK	8	24	54	8	6	16	10.2	M8	13	42	22	14	15	5265	11610	33 g
GAR10-UK	10	29	62.5	9	7	19	13.2	M10	16	48	26	15	12	7776	18540	56 g
GAR12-UK	12	34	71	10	8	22	14.9	M12	18	54	28	18	11	10170	27180	86 g
GAR15-UK	15	40	83	12	10	26	18.4	M14	22	63	34	20	8	16020	37440	150 g
GAR17-UK	17	46	92	14	11	30	20.7	M16	25	69	36	23	10	20250	50850	210 g
GAR20-UK	20	53	104.5	16	13	35	24.2	M20X1,5	29	78	43	27	9	28170	68040	330 g
GAR25-UK	25	64	126	20	17	42	29.3	M24X2	35.5	94	53	32	7	45990	94500	600 g
GAR30-UK	30	73	146.5	22	19	47	34.2	M30X2	40.7	110	65	37	6	59310	125100	950 g

Ref	Dimension (mm)													*Load Rating		Weight (g) approx.
	d	d2	L2	B	C1	D	d1	d3	Dk	h	L1	L7	α°	C, dyn. N	C, stat. N	
GAL6-UK	6	21	46.5	6	4.4	14	8	M6	10	36	18	12	13	3240	6237	18 g
GAL8-UK	8	24	54	8	6	16	10.2	M8	13	42	22	14	15	5265	11610	33 g
GAL10-UK	10	29	62.5	9	7	19	13.2	M10	16	48	26	15	12	7776	18540	56 g
GAL12-UK	12	34	71	10	8	22	14.9	M12	18	54	28	18	11	10170	27180	86 g
GAL15-UK	15	40	83	12	10	26	18.4	M14	22	63	34	20	8	16020	37440	150 g
GAL17-UK	17	46	92	14	11	30	20.7	M16	25	69	36	23	10	20250	50850	210 g
GAL20-UK	20	53	104.5	16	13	35	24.2	M20X1,5	29	78	43	27	9	28170	68040	330 g
GAL25-UK	25	64	126	20	17	42	29.3	M24X2	35.5	94	53	32	7	45990	94500	600 g
GAL30-UK	30	73	146.5	22	19	47	34.2	M30X2	40.7	110	65	37	6	59310	125100	950 g

Cabezas de Rótula Libres de Mantenimiento



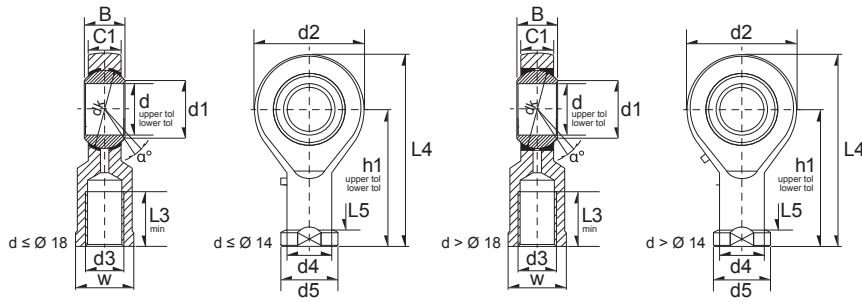
(MF) = Maintenance Free
(RM) = Requiring Maintenance



11

Ref	Dimension (mm)																	*Load Rating		Weight (g) approx.
	d	d2	L4	B	C1	D	d1	d3	d4	d5	dK	h1	L3	L5	L7	W	α°	C, dyn. N	C, stat. N	
GIKPR10-PW	10	28	57	14	10.5	22	12.9	M10X1,25	15	19	19.05	43	20	6.5	15	17	13	16290	16650	77 g
GIKPR12-PW	12	32	66	16	12	26	15.4	M12X1,25	17.5	22	22.225	50	22	6.5	17	19	13	21600	18720	100 g
GIKPR16-PW	16	42	85	21	15	32	19.3	M16X1,5	22	28	28.575	64	28	8	23	22	15	34740	40770	220 g
GIKPR30-PW	30	70	145	37	25	55	34.8	M27X2	40	50	50.8	110	51	15	37	41	17	102600	86310	1100 g

Cabezas de Rótula con Mantenimiento



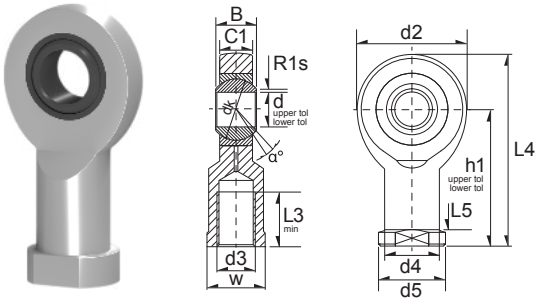
(MF) = Maintenance Free
(RM) = Requiring Maintenance

12

Ref	Dimension (mm)																	*Load Rating		Weight (g) approx.
	d	d2	L4	B	C1	D	d1	d3	d4	d5	dK	h1	L3	L5	L7	W	α°	C, dyn. N	C, stat. N	
GIKR5-PB	5	18	36	8	6	13	7.7	M5X0,8	8.5	11	11.11	27	10	4	10	9	13	2925	8262	16 g
GIKR6-PB	6	20	40	9	6.75	16	9	M6	10	13	12.7	30	12	5	11	11	13	3888	7191	29 g
GIKR8-PB	8	24	48	12	9	19	10.4	M8	12.5	16	15.875	36	16	5	13	14	14	6426	11790	50 g
GIKR10-PB	10	28	57	14	10.5	22	12.9	M10	15	19	19.05	43	20	6.6	15	17	13	9000	16650	81 g
GIKR12-PB	12	32	66	16	12	26	15.4	M12	17.5	22	22.225	50	22	6.5	17	19	13	11970	18720	130 g
GIKR14-PB	14	36	75	19	13.5	28	16.9	M14	21	26	25.4	57	25	8	18	22	16	15390	28800	190 g
GIKR16-PB	16	42	85	21	15	32	19.4	M16	22	28	28.575	64	28	8	23	22	15	19260	40770	250 g
GIKR18-PB	18	46	94	23	16.5	35	21.8	M18X1,5	25	31	31.75	71	32	10	25	27	15	23580	42300	320 g
GIKR20-PB	20	50	102	25	18	40	24.4	M20X1,5	27.5	35	34.925	77	33	10	26	30	14	28260	41040	430 g
GIKR22-PB	22	54	111	28	20	42	25.8	M22X1,5	30	38	38.1	84	37	12	29	32	15	34290	54990	540 g
GIKR25-PB	25	60	124	31	22	47	29.6	M24X2	33.5	42	42.85	94	42	12	32	36	15	42390	65610	760 g
GIKR30-PB	30	70	145	37	25	55	34.8	M30X2	40	50	50.8	110	51	15	37	41	17	57150	86310	1180 g

Ref	Dimension (mm)																	*Load Rating		Weight (g) approx.
	d	d2	L4	B	C1	D	d1	d3	d4	d5	dK	h1	L3	L5	L7	W	α°	C, dyn. N	C, stat. N	
GIKL5-PB	5	18	36	8	6	13	7.7	M5X0,8	8.5	11	11.11	27	10	4	10	9	13	2925	8262	16 g
GIKL6-PB	6	20	40	9	6.75	16	9	M6	10	13	12.7	30	12	5	11	11	13	3888	7191	29 g
GIKL8-PB	8	24	48	12	9	19	10.4	M8	12.5	16	15.875	36	16	5	13	14	14	6426	11790	50 g
GIKL10-PB	10	28	57	14	10.5	22	12.9	M10	15	19	19.05	43	20	6.6	15	17	13	9000	16650	81 g
GIKL12-PB	12	32	66	16	12	26	15.4	M12	17.5	22	22.225	50	22	6.5	17	19	13	11970	18720	130 g
GIKL14-PB	14	36	75	19	13.5	28	16.9	M14	21	26	25.4	57	25	8	18	22	16	15390	28800	190 g
GIKL16-PB	16	42	85	21	15	32	19.4	M16	22	28	28.575	64	28	8	23	22	15	19260	40770	250 g
GIKL18-PB	18	46	94	23	16.5	35	21.8	M18X1,5	25	31	31.75	71	32	10	25	27	15	23580	42300	320 g
GIKL20-PB	20	50	102	25	18	40	24.4	M20X1,5	27.5	35	34.925	77	33	10	26	30	14	28260	41040	430 g
GIKL22-PB	22	54	111	28	20	42	25.8	M22X1,5	30	38	38.1	84	37	12	29	32	15	34290	54990	540 g
GIKL25-PB	25	60	124	31	22	47	29.6	M24X2	33.5	42	42.85	94	42	12	32	36	15	42390	65610	760 g
GIKL30-PB	30	70	145	37	25	55	34.8	M30X2	40	50	50.8	110	51	15	37	41	17	57150	86310	1180 g

Cabezas de Rótula Libres de Mantenimiento



(MF) = Maintenance Free
(RM) = Requiring Maintenance

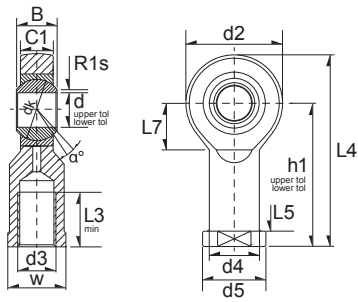


13

Ref	Dimension (mm)																	*Load Rating		Weight (g) approx.
	d	d2	L4	B	C1	D	d1	d3	d4	d5	dK	h1	L3	L5	L7	W	α°	C, dyn. N	C, stat. N	
GIKR5-PW	5	18	36	8	6	13	7.7	M5	8.5	11	11.112	27	10	4	10	9	13	5400	8262	16 g
GIKR6-PW	6	20	40	9	6.75	16	9	M6	10	13	12.7	30	12	5	11	11	13	6975	7191	28 g
GIKR8-PW	8	24	48	12	9	19	10.4	M8	12.5	16	15.875	36	16	5	13	14	14	11610	11790	50 g
GIKR10-PW	10	28	57	14	10.5	22	12.9	M10	15	19	19.05	43	20	6.5	15	17	13	16290	16650	80 g
GIKR12-PW	12	32	66	16	12	26	15.4	M12	17.5	22	22.225	50	22	6.5	17	19	13	21600	18720	120 g
GIKR14-PW	14	36	75	19	13.5	28	16.9	M14	21	26	25.4	57	25	8	18	22	16	27900	28800	180 g
GIKR16-PW	16	42	85	21	15	32	19.4	M16	22	28	28.575	64	28	8	23	22	15	34740	40770	240 g
GIKR18-PW	18	46	94	23	16.5	35	21.8	M18X1,5	25	31	31.75	71	32	10	25	27	15	42570	42300	320 g
GIKR20-PW	20	50	102	25	18	40	24.4	M20X1,5	27.5	35	34.925	77	33	10	26	30	14	50940	41040	430 g
GIKR22-PW	22	54	111	28	20	42	25.8	M22X1,5	30	38	38.1	84	37	12	29	32	15	61740	54990	540 g
GIKR25-PW	25	60	124	31	22	47	29.6	M24X2	33.5	42	42.85	94	42	12	32	36	15	76320	65610	730 g
GIKR30-PW	30	70	145	37	25	55	34.8	M30X2	40	50	50.8	110	51	15	37	41	17	102600	86310	1170 g

Ref	Dimension (mm)																	*Load Rating		Weight (g) approx.
	d	d2	L4	B	C1	D	d1	d3	d4	d5	dK	h1	L3	L5	L7	W	α°	C, dyn. N	C, stat. N	
GIKL5-PW	5	18	36	8	6	13	7.7	M5	8.5	11	11.112	27	10	4	10	9	13	5400	8262	16 g
GIKL6-PW	6	20	40	9	6.75	16	9	M6	10	13	12.7	30	12	5	11	11	13	6975	7191	28 g
GIKL8-PW	8	24	48	12	9	19	10.4	M8	12.5	16	15.875	36	16	5	13	14	14	11610	11790	50 g
GIKL10-PW	10	28	57	14	10.5	22	12.9	M10	15	19	19.05	43	20	6.5	15	17	13	16290	16650	80 g
GIKL12-PW	12	32	66	16	12	26	15.4	M12	17.5	22	22.225	50	22	6.5	17	19	13	21600	18720	120 g
GIKL14-PW	14	36	75	19	13.5	28	16.9	M14	21	26	25.4	57	25	8	18	22	16	27900	28800	180 g
GIKL16-PW	16	42	85	21	15	32	19.4	M16	22	28	28.575	64	28	8	23	22	15	34740	40770	240 g
GIKL18-PW	18	46	94	23	16.5	35	21.8	M18X1,5	25	31	31.75	71	32	10	25	27	15	42570	42300	320 g
GIKL20-PW	20	50	102	25	18	40	24.4	M20X1,5	27.5	35	34.925	77	33	10	26	30	14	50940	41040	430 g
GIKL22-PW	22	54	111	28	20	42	25.8	M22X1,5	30	38	38.1	84	37	12	29	32	15	61740	54990	540 g
GIKL25-PW	25	60	124	31	22	47	29.6	M24X2	33.5	42	42.85	94	42	12	32	36	15	76320	65610	730 g
GIKL30-PW	30	70	145	37	25	55	34.8	M30X2	40	50	50.8	110	51	15	37	41	17	102600	86310	1170 g

Cabezas de Rótula Libres de Mantenimiento



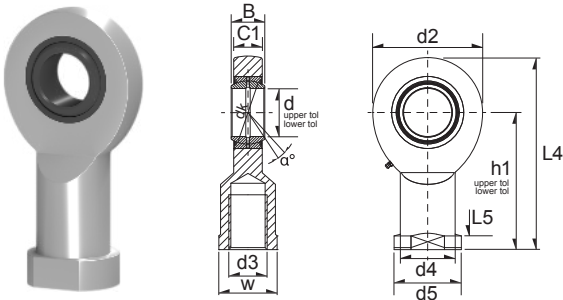
(MF) = Maintenance Free
(RM) = Requiring Maintenance



14

Ref	Dimension (mm)																	*Load Rating		Weight (g) approx.
	d	d2	L4	B	C1	D	d1	d3	d4	d5	dK	h1	L3	L5	L7	W	alpha°	C, dyn. N	C, stat. N	
GIKSR5-PS	5	19	36.5	8	6	13	7.7	M5	9	11	11.1	27	8	4	9	9	13	5400	3420	17 g
GIKSR6-PS	6	21	40.5	9	6.75	16	8.9	M6	10	13	12.7	30	9	5	10	11	13	6885	3060	25 g
GIKSR8-PS	8	25	48.5	12	9	19	10.3	M8	12.5	16	15.8	36	12	5	12	14	13	11610	5130	43 g
GIKSR10-PS	10	29	57.5	14	10.5	22	12.9	M10	15	19	19	43	15	6.5	14	17	13	16200	7200	72 g
GIKSR12-PS	12	33	66.5	16	12	26	15.4	M12	17.5	22	22.2	50	18	6.5	16	19	13	21600	8190	107 g
GIKSR14-PS	14	37	75.5	19	13.5	28	16.8	M14	20	25	25.4	57	21	8	18	22	15	27900	12330	160 g
GIKSR16-PS	16	43	85.5	21	15	32	19.3	M16	22	27	28.5	64	24	8	21	22	15	35100	17100	210 g
GIKSR18-PS	18	47	94.5	23	16.5	35	21.8	M18X1,5	25	31	31.7	71	27	10	23	27	15	42750	20700	295 g
GIKSR20-PS	20	51	102.5	25	18	40	24.3	M20X1,5	27.5	34	34.9	77	30	10	25	30	15	51300	20520	380 g
GIKSR22-PS	22	55	111.5	28	20	42	25.8	M22X1,5	30	37	38.1	84	33	12	27	32	15	61200	27360	490 g
GIKSR25-PS	25	61	124.5	31	22	47	29.5	M24X2	33.5	42	42.8	94	36	12	30	36	15	76500	32580	650 g
GIKSR30-PS	30	71	145.5	37	25	55	34.8	M30X2	40	50	50.8	110	45	15	35	41	15	102600	42750	1150 g

Cabezas de Rótula con Mantenimiento



(MF) = Maintenance Free
(RM) = Requiring Maintenance

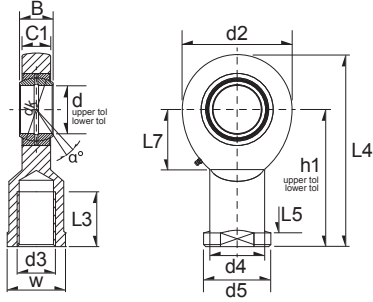


15

Ref	Dimension (mm)																α°	*Load Rating		Weight (g) approx.
	d	d2	L4	B	C1	D	d1	d3	d4	d5	dK	h1	L3	L5	L7	W		C, dyn. N	C, stat. N	
GIR17-DO-2RS	17	46	90	14	11	30	20.7	M16	24	30	25	67	34	10	23	27	10	19170	50850	250 g
GIR20-DO-2RS	20	53	103.5	16	13	35	24.2	M20X1,5	27.5	35	29	77	40	10	27	32	9	26640	68040	360 g
GIR25-DO-2RS	25	64	126	20	17	42	29.3	M24X2	33.5	42	35.5	94	48	12	32	36	7	43470	79470	660 g
GIR30-DO-2RS	30	73	146.5	22	19	47	34.2	M30X2	40	50	40.7	110	56	15	37	41	6	56070	107100	980 g
GIR35-DO-2RS	35	82	166	25	21	55	39.8	M36X3	47	58	47	125	60	15	42	50	6	71910	143100	1430 g
GIR40-DO-2RS	40	92	188	28	23	62	45	M39X3	52	65	53	142	65	18	48	55	7	89190	174600	2100 g
GIR45-DO-2RS	45	102	196	32	27	68	50.8	M42X3	58	70	60	145	65	20	52	60	7	115200	233100	2700 g
GIR50-DO-2RS	50	112	216	35	30	75	56	M45X3	62	75	66	160	68	20	60	65	6	141300	282600	3540 g
GIR60-DO-2RS	60	135	242.5	44	38	90	66.8	M52X3	70	88	80	175	70	20	75	75	6	220500	436500	5600 g
GIR70-DO-2RS	70	160	280	49	42	105	77.9	M56X4	80	98	92	200	80	20	87	85	6	281700	507600	8620 g
GIR80-DO-2RS	80	180	320	55	47	120	89.4	M64X4	95	110	105	230	85	25	100	100	6	361800	621000	13200 g

Ref	Dimension (mm)																α°	*Load Rating		Weight (g) approx.
	d	d2	L4	B	C1	D	d1	d3	d4	d5	dK	h1	L3	L5	L7	W		C, dyn. N	C, stat. N	
GIL17-DO-2RS	17	46	90	14	11	30	20.7	M16	24	30	25	67	34	10	23	27	10	19170	50850	250 g
GIL20-DO-2RS	20	53	103.5	16	13	35	24.2	M20X1,5	27.5	35	29	77	40	10	27	32	9	26640	68040	360 g
GIL25-DO-2RS	25	64	126	20	17	42	29.3	M24X2	33.5	42	35.5	94	48	12	32	36	7	43470	79470	660 g
GIL30-DO-2RS	30	73	146.5	22	19	47	34.2	M30X2	40	50	40.7	110	56	15	37	41	6	56070	107100	980 g
GIL35-DO-2RS	35	82	166	25	21	55	39.8	M36X3	47	58	47	125	60	15	42	50	6	71910	143100	1430 g
GIL40-DO-2RS	40	92	188	28	23	62	45	M39X3	52	65	53	142	65	18	48	55	7	89190	174600	2100 g
GIL45-DO-2RS	45	102	196	32	27	68	50.8	M42X3	58	70	60	145	65	20	52	60	7	115200	233100	2700 g
GIL50-DO-2RS	50	112	216	35	30	75	56	M45X3	62	75	66	160	68	20	60	65	6	141300	282600	3540 g
GIL60-DO-2RS	60	135	242.5	44	38	90	66.8	M52X3	70	88	80	175	70	20	75	75	6	220500	436500	5600 g
GIL70-DO-2RS	70	160	280	49	42	105	77.9	M56X4	80	98	92	200	80	20	87	85	6	281700	507600	8620 g
GIL80-DO-2RS	80	180	320	55	47	120	89.4	M64X4	95	110	105	230	85	25	100	100	6	361800	621000	13200 g

Cabezas de Rótula con Mantenimiento



(MF) = Maintenance Free
(RM) = Requiring Maintenance

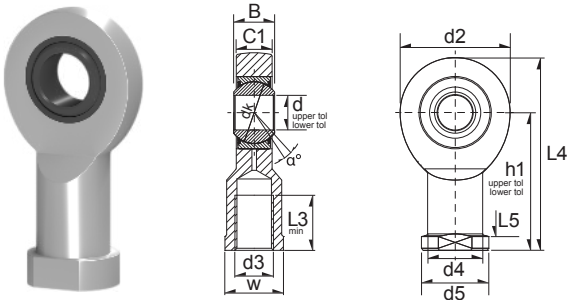


16

Ref	Dimension (mm)																	*Load Rating		Weight (g) approx.
	d	d2	L4	B	C1	D	d1	d3	d4	d5	dK	h1	L3	L5	L7	W	α°	C, dyn. N	C, stat. N	
GIR6-DO	6	21	40.5	6	4.4	14	8	M6	10	13	10	30	11	5	12	11	13	3060	9270	23 g
GIR8-DO	8	24	48	8	6	16	10.2	M8	12.5	16	13	36	15	5	14	14	15	5031	14400	39 g
GIR10-DO	10	29	57.5	9	7	19	13.2	M10	15	19	16	43	20	6.5	15	17	12	7344	19800	66 g
GIR12-DO	12	34	67	10	8	22	14.9	M12	17.5	22	18	50	23	6.5	18	19	11	9720	27360	100 g
GIR15-DO	15	40	81	12	10	26	18.4	M14	21	26	22	61	30	8	20	22	8	15210	40320	180 g
GIR17-DO	17	46	90	14	11	30	20.7	M16	24	30	25	67	34	10	23	27	10	19170	50850	250 g
GIR20-DO	20	53	103.5	16	13	35	24.2	M20X1,5	27.5	35	29	77	40	10	27	32	9	26640	68040	360 g
GIR25-DO	25	64	126	20	17	42	29.3	M24X2	33.5	42	35.5	94	48	12	32	36	7	43470	79470	660 g
GIR30-DO	30	73	146.5	22	19	47	34.2	M30X2	40	50	40.7	110	56	15	37	41	6	56070	107100	980 g

Ref	Dimension (mm)																	*Load Rating		Weight (g) approx.
	d	d2	L4	B	C1	D	d1	d3	d4	d5	dK	h1	L3	L5	L7	W	α°	C, dyn. N	C, stat. N	
GIL6-DO	6	21	40.5	6	4.4	14	8	M6	10	13	10	30	11	5	12	11	13	3060	9270	23 g
GIL8-DO	8	24	48	8	6	16	10.2	M8	12.5	16	13	36	15	5	14	14	15	5031	14400	39 g
GIL10-DO	10	29	57.5	9	7	19	13.2	M10	15	19	16	43	20	6.5	15	17	12	7344	19800	66 g
GIL12-DO	12	34	67	10	8	22	14.9	M12	17.5	22	18	50	23	6.5	18	19	11	9720	27360	100 g
GIL15-DO	15	40	81	12	10	26	18.4	M14	21	26	22	61	30	8	20	22	8	15210	40320	180 g
GIL17-DO	17	46	90	14	11	30	20.7	M16	24	30	25	67	34	10	23	27	10	19170	50850	250 g
GIL20-DO	20	53	103.5	16	13	35	24.2	M20X1,5	27.5	35	29	77	40	10	27	32	9	26640	68040	360 g
GIL25-DO	25	64	126	20	17	42	29.3	M24X2	33.5	42	35.5	94	48	12	32	36	7	43470	79470	660 g
GIL30-DO	30	73	146.5	22	19	47	34.2	M30X2	40	50	40.7	110	56	15	37	41	6	56070	107100	980 g

Cabezas de Rótula Libres de Mantenimiento



(MF) = Maintenance Free
(RM) = Requiring Maintenance

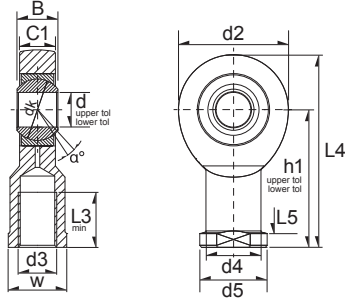


17

Ref	Dimension (mm)													α°	*Load Rating		Weight (g) approx.
	d	d2	L4	B	C1	d3	d4	d5	dk	h1	L3	L5	W		C, dyn. N	C, stat. N	
GIR17-UK-2RS	17	46	90	14	11	M16x2	24	30	25	67	34	10	27	10	20250	50850	220 g
GIR20-UK-2RS	20	53	103.5	16	13	M20x1.5	27.5	35	29	77	40	10	32	9	28170	68040	350 g
GIR25-UK-2RS	25	64	126	20	17	M24x2	33.5	42	35.5	94	48	12	36	7	45990	94500	640 g
GIR30-UK-2RS	30	73	146.5	22	19	M30x2	40	50	40.7	110	56	15	41	6	59310	125100	930 g
GIR35-UK-2RS	35	82	166	25	21	M36x3	47	58	47	125	60	15	50	6	189000	143100	1300 g
GIR40-UK-2RS	40	92	188	28	23	M39x3	52	65	53	142	65	18	55	7	252000	174600	2000 g
GIR45-UK-2RS	45	102	196	32	27	M42x3	58	70	60	145	65	20	60	7	324000	233100	2500 g
GIR50-UK-2RS	50	112	216	35	30	M45x3	62	75	66	160	68	20	65	6	397800	281700	3500 g
GIR60-UK-2RS	60	135	242.5	44	38	M52x3	70	88	80	175	70	20	75	6	621000	436500	5500 g
GIR70-UK-2RS	70	160	280	49	42	M56x4	80	98	92	200	80	20	85	6	796500	507600	8600 g
GIR80-UK-2RS	80	180	320	55	47	M64x4	95	110	105	230	85	25	100	6	1017000	621000	12000 g

Ref	Dimension (mm)													α°	*Load Rating		Weight (g) approx.
	d	d2	L4	B	C1	d3	d4	d5	dk	h1	L3	L5	W		C, dyn. N	C, stat. N	
GIL17-UK-2RS	17	46	90	14	11	M16x2	24	30	25	67	34	10	27	10	20250	50850	220 g
GIL20-UK-2RS	20	53	103.5	16	13	M20x1.5	27.5	35	29	77	40	10	32	9	28170	68040	350 g
GIL25-UK-2RS	25	64	126	20	17	M24x2	33.5	42	35.5	94	48	12	36	7	45990	94500	640 g
GIL30-UK-2RS	30	73	146.5	22	19	M30x2	40	50	40.7	110	56	15	41	6	59310	125100	930 g
GIL35-UK-2RS	35	82	166	25	21	M36x3	47	58	47	125	60	15	50	6	189000	143100	1300 g
GIL40-UK-2RS	40	92	188	28	23	M39x3	52	65	53	142	65	18	55	7	252000	174600	2000 g
GIL45-UK-2RS	45	102	196	32	27	M42x3	58	70	60	145	65	20	60	7	324000	233100	2500 g
GIL50-UK-2RS	50	112	216	35	30	M45x3	62	75	66	160	68	20	65	6	397800	281700	3500 g
GIL60-UK-2RS	60	135	242.5	44	38	M52x3	70	88	80	175	70	20	75	6	621000	436500	5500 g
GIL70-UK-2RS	70	160	280	49	42	M56x4	80	98	92	200	80	20	85	6	796500	507600	8600 g
GIL80-UK-2RS	80	180	320	55	47	M64x4	95	110	105	230	85	25	100	6	1017000	621000	12000 g

Cabezas de Rótula Libres de Mantenimiento



(MF) = Maintenance Free
(RM) = Requiring Maintenance

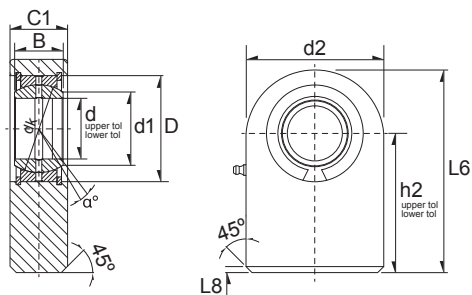
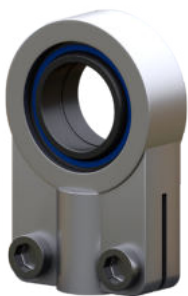


18

Ref	Dimension (mm)														α°	*Load Rating		Weight (g) approx.
	d	d2	L4	B	C1	d3	d4	d5	dk	h1	L3	L5	W	C, dyn. N		C, stat. N		
GIR6-UK	6	21	40.5	6	4.4	M6	10	13	10	30	11	5	11	13	3240	9270	21 g	
GIR8-UK	8	24	48	8	6	M8	12.5	16	13	36	15	5	14	15	5265	14400	39 g	
GIR10-UK	10	29	57.5	9	7	M10	15	19	16	43	20	6.5	17	12	7776	19800	61 g	
GIR12-UK	12	34	67	10	8	M12	17.5	22	18	50	23	6.5	19	11	10170	27360	96 g	
GIR15-UK	15	40	81	12	10	M14	21	26	22	61	30	8	22	8	16020	40320	180 g	
GIR17-UK	17	46	90	14	11	M16	24	30	25	67	34	10	27	10	20250	50850	220 g	
GIR20-UK	20	53	103.5	16	13	M20x1.5	27.5	35	29	77	40	10	32	9	28170	68040	350 g	
GIR25-UK	25	64	126	20	17	M24x2	33.5	42	35.5	94	48	12	36	7	45900	94500	640 g	
GIR30-UK	30	73	146.5	22	19	M30x2	40	50	40.7	110	56	15	41	6	59310	125100	930 g	

Ref	Dimension (mm)														α°	*Load Rating		Weight (g) approx.
	d	d2	L4	B	C1	d3	d4	d5	dk	h1	L3	L5	W	C, dyn. N		C, stat. N		
GIL6-UK	6	21	40.5	6	4.4	M6	10	13	10	30	11	5	11	13	3240	9270	21 g	
GIL8-UK	8	24	48	8	6	M8	12.5	16	13	36	15	5	14	15	5265	14400	39 g	
GIL10-UK	10	29	57.5	9	7	M10	15	19	16	43	20	6.5	17	12	7776	19800	61 g	
GIL12-UK	12	34	67	10	8	M12	17.5	22	18	50	23	6.5	19	11	10170	27360	96 g	
GIL15-UK	15	40	81	12	10	M14	21	26	22	61	30	8	22	8	16020	40320	180 g	
GIL17-UK	17	46	90	14	11	M16	24	30	25	67	34	10	27	10	20250	50850	220 g	
GIL20-UK	20	53	103.5	16	13	M20x1.5	27.5	35	29	77	40	10	32	9	28170	68040	350 g	
GIL25-UK	25	64	126	20	17	M24x2	33.5	42	35.5	94	48	12	36	7	45900	94500	640 g	
GIL30-UK	30	73	146.5	22	19	M30x2	40	50	40.7	110	56	15	41	6	59310	125100	930 g	

Cabezas de Rótula Hidráulicas con Mantenimiento



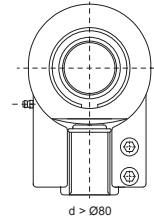
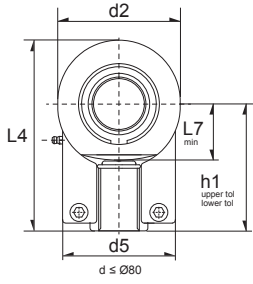
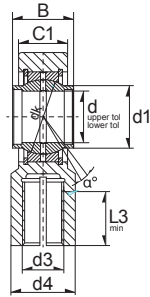
(MF) = Maintenance Free
(RM) = Requiring Maintenance



19

Ref	Dimension (mm)											α°	*Load Rating		Weight (g) approx.
	d	d2	L6	B	C1	C1max	D	d1	dK	h2	C, dyn. N		C, stat. N		
GF20-DO	20	50	63	16	19	20	35	24.2	29	38	9	26640	59040	350 g	
GF25-DO	25	55	72.5	20	23	24	42	29.3	35.5	45	7	43470	61920	530 g	
GF30-DO	30	65	83.5	22	28	29	47	34.2	40.7	51	6	56070	104400	870 g	
GF35-DO	35	83	102.5	25	30	31	55	39.8	47	61	6	71910	173700	1500 g	
GF40-DO	40	100	119	28	35	36.5	62	45	53	69	7	89190	275400	2400 g	
GF45-DO	45	110	132	32	40	41.5	68	50.8	60	77	7	115200	347400	3400 g	
GF50-DO	50	123	149.5	35	40	41.5	75	56	66	88	6	141300	397800	4400 g	
GF60-DO	60	140	170	44	50	52.5	90	66.8	80	100	6	220500	502200	7100 g	
GF70-DO	70	164	197	49	55	58	105	77.9	92	115	6	281700	652500	10500 g	
GF80-DO	80	180	231	55	60	63	120	89.4	105	141	6	361800	723600	15000 g	

Cabezas de Rótula Hidráulicas con Mantenimiento



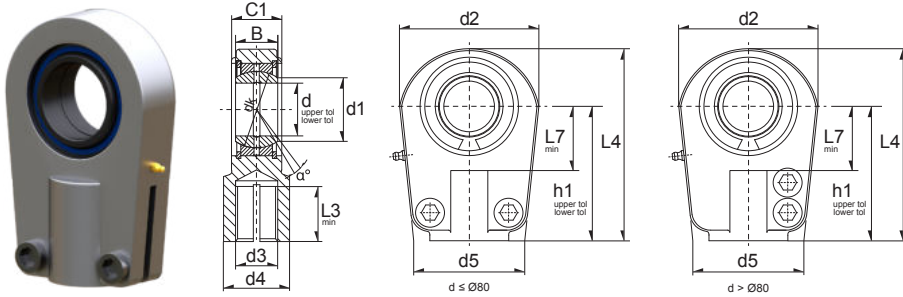
(MF) = Maintenance Free
(RM) = Requiring Maintenance



20

Ref	Dimension (mm)																	*Load Rating		Weight (g) approx.
	d	d2	l4	B	C1	C2	D	d1	d3	d4	d5	d6	dK	h1	l3	l7	α°	C, dyn. N	C, stat. N	
GIHNRK12-LO	12	32	54	12	10.6	10.6	22	15.5	M12X1,25	16.5	32	M5X12	18	38	17	14	4	9720	21600	110 g
GIHNRK16-LO	16	40	64	16	13	13	28	20	M14X1,5	21	40	M6X16	23	44	19	18	4	15930	31860	200 g
GIHNRK20-LO	20	47	75.5	20	17	17	35	25	M16X1,5	25	47	M8X20	29	52	23	22	4	26640	37350	360 g
GIHNRK25-LO	25	58	94	25	21.5	17	42	30	M20X1,5	30	54	M8X20	35.5	65	29	27	4	43470	62910	590 g
GIHNRK32-LO	32	70	115	32	27	22	52	38	M27X2	38	66	M10X25	44	80	37	32	4	60570	88920	1060 g
GIHNRK40-LO	40	89	141.5	40	32	26	62	46	M33X2	47	80	M10X25	53	97	46	41	4	89190	158400	1930 g
GIHNRK50-LO	50	108	174	50	40	32	75	57	M42X2	58	96	M12X30	66	120	57	50	4	141300	241200	3490 g
GIHNRK63-LO	63	132	211	63	52	38	95	71.5	M48X2	70	114	M12X35	83	140	64	62	4	228600	288900	6290 g
GIHNRK70-LO	70	155	245	70	57	42	105	79	M56X2	80	135	M16X40	92	160	76	70	4	281700	427500	9750 g
GIHNRK80-LO	80	168	270	80	66	48	120	91	M64X3	90	148	M16X45	105	180	86	78	4	361800	475200	13000 g
GIHNRK90-LO	90	185	296	90	72	52	130	99	M72X3	100	160	M16X50	115	195	91	85	4	440100	594000	17000 g
GIHNRK100-LO	100	210	322	100	84	62	150	113	M80X3	110	178	M20X60	130	210	96	98	4	547200	756000	23800 g

Cabezas de Rótula Hidráulicas con Mantenimiento



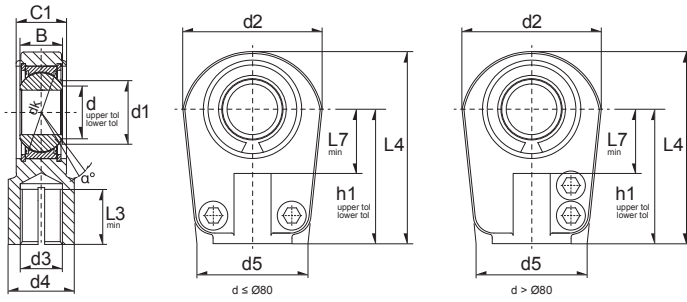
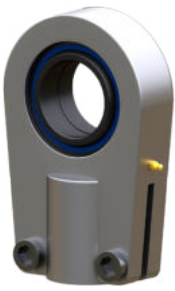
(MF) = Maintenance Free
(RM) = Requiring Maintenance



21

Ref	Dimension (mm)													α°	*Load Rating		Weight (g) approx.
	d	d2	L4	B	C1	d1	d3	d4	d5	dk	h1	L3	L7		C, dyn. N	C, stat. N	
GIHRK20-DO	20	56	80	16	19	24.2	M16x1.5	25	46	29	50	17	25	9	26640	72990	430 g
GIHRK25-DO	25	56	80	20	23	29.3	M16x1.5	25	46	35.5	50	17	28	7	43470	58950	480 g
GIHRK30-DO	30	64	94	22	28	34.2	M22x1.5	32	50	40.7	60	23	30	6	56070	87120	740 g
GIHRK35-DO	35	78	112	25	30	39.8	M28x1.5	40	66	47	70	29	38	6	71910	126000	1200 g
GIHRK40-DO	40	94	135	28	35	45.0	M35x1.5	49	76	53	85	36	45	7	89190	205200	2000 g
GIHRK50-DO	50	116	168	35	40	55.9	M45x1.5	61	90	66	105	46	55	6	141300	299700	3800 g
GIHRK60-DO	60	130	200	44	50	66.8	M58x1.5	75	120	80	130	59	65	6	220500	294300	5400 g
GIHRK70-DO	70	154	232	49	55	77.9	M65x1.5	86	130	92	150	66	75	6	281700	396900	8500 g
GIHRK80-DO	80	176	265	55	60	89.4	M80x2	105	160	105	170	81	80	6	361800	495900	12000 g
GIHRK90-DO	90	206	323	60	65	98.1	M100x2	124	180	115	210	101	90	5	440100	729900	21500 g
GIHRK100-DO	100	231	360	70	70	109.5	M110x2	138	200	130	235	111	105	7	547200	828000	27500 g

Cabezas de Rótula Hidráulicas libres de Mantenimiento



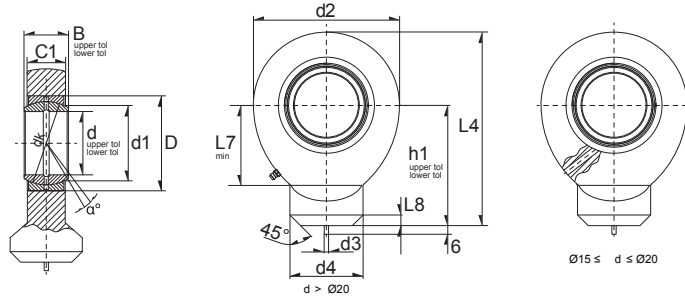
(MF) = Maintenance Free
(RM) = Requiring Maintenance



22

Ref	Dimension (mm)													α°	*Load Rating		Weight (g) approx.
	d	d2	L4	B	C1	d1	d3	d4	d5	dk	h1	L3	L7		C, dyn. N	C, stat. N	
GIHRK20-UK-2RS	20	56	80	16	19	24.2	M16x1.5	25	46	29	50	17	25	9	30000	72000	430 g
GIHRK25-UK-2RS	25	56	80	20	23	29.3	M16x1.5	25	46	35.5	50	17	28	7	48000	72000	480 g
GIHRK30-UK-2RS	30	64	94	22	28	34.2	M22x1.5	32	50	40.7	60	23	30	6	62000	106000	740 g
GIHRK35-UK-2RS	35	78	112	25	30	39.8	M28x1.5	40	66	47	70	29	38	6	80000	153000	1200 g
GIHRK40-UK-2RS	40	94	135	28	35	45.0	M35x1.5	49	76	53	85	36	45	7	100000	250000	2000 g
GIHRK50-UK-2RS	50	116	168	35	40	55.9	M45x1.5	61	90	66	105	46	55	6	156000	365000	3800 g
GIHRK60-UK-2RS	60	130	200	44	50	66.8	M58x1.5	75	120	80	130	59	65	6	245000	400000	5400 g
GIHRK70-UK-2RS	70	154	232	49	55	77.9	M65x1.5	86	130	92	150	66	75	6	315000	540000	8500 g
GIHRK80-UK-2RS	80	176	265	55	60	89.4	M80x2.0	105	160	105	170	81	80	6	400000	670000	12000 g
GIHRK90-UK-2RS	90	206	323	60	65	98.1	M100x2.0	124	180	115	210	101	90	5	490000	980000	21500 g
GIHRK100-UK-2RS	100	231	360	70	70	109.5	M110x2.0	138	200	130	235	111	105	7	610000	1120000	27500 g

Cabezas de Rótula Hidráulicas con Mantenimiento



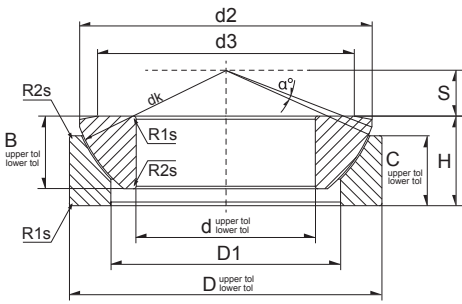
(MF) = Maintenance Free
(RM) = Requiring Maintenance



23

Ref	Dimension (mm)													α°	*Load Rating		Weight (g) approx.
	d	d2	B	C1	D	d1	d3	d4	dk	h1	L4	L7	L8		C, dyn. N	C, stat. N	
GK10-DO	10	29	9	7	19	13.2	3	15	16	24	38.5	15	1.5	12	7335	14040	41 g
GK12-DO	12	34	10	8	22	15	3	17.5	18	27	44	18	1.5	11	9720	19440	66 g
GK15-DO	15	40	12	10	26	18.4	4	21	22	31	51	20	2	8	15210	28620	120 g
GK17-DO	17	46	14	11	30	20.7	4	24	25	35	58	23	2	10	19170	36090	190 g
GK20-DO	20	53	16	13	35	24.2	4	27.5	29	38	64.5	27.5	2	9	26640	48330	230 g
GK25-DO	25	64	20	17	42	29.3	4	33.5	35.5	45	77	33	3	7	43470	63720	430 g
GK30-DO	30	73	22	19	47	34.2	4	40	40.7	51	87.5	37.5	3	6	56070	86130	640 g
GK35-DO	35	82	25	21	55	39.8	4	47	47	61	102	43	3	6	71910	115200	960 g
GK40-DO	40	92	28	23	62	45	4	52	53	69	115	48	4	7	89190	140400	1300 g
GK45-DO	45	102	32	27	68	50.8	6	58	60	77	128	52	4	7	115200	187200	1800 g
GK50-DO	50	112	35	30	75	55.9	6	62	66	88	144	59	4	6	141300	226800	2500 g
GK60-DO	60	135	44	38	90	66.8	6	70	80	100	167.5	72.5	4	6	220500	350100	3900 g
GK70-DO	70	160	49	42	105	77.9	6	80	92	115	195	86	5	6	281700	459900	6600 g
GK80-DO	80	180	55	47	120	89.4	6	95	105	141	231	98	5	6	361800	561600	8700 g

Rótula Axial Esferica sin Mantenimiento



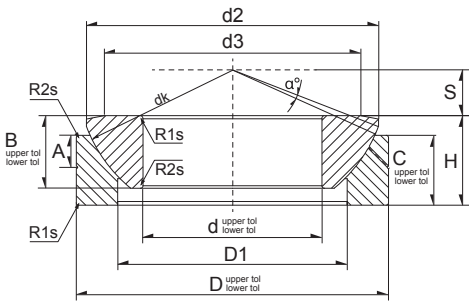
(MF) = Maintenance Free
(RM) = Requiring Maintenance



24

Ref	Dimension (mm)												α°	*Load Rating		Weight (g) approx.
	d	D	B	C	d1	d2	d3	dk	H	S	R1s	R2s		C, dyn. N	C, stat. N	
GE10-AW	10.0	30.0	7.9	6.0	16.5	27.5	21.0	32.0	9.5	7.0	0.6	0.2	10.0	36000	72000	40 g
GE12-AW	12.0	35.0	9.3	9.0	19.5	32.0	24.0	37.0	13.0	8.0	0.6	0.2	9.0	49000	98000	70 g
GE15-AW	15.0	42.0	10.7	11.0	24.0	38.9	29.0	45.0	15.0	10.0	0.6	0.2	7.0	78000	156000	120 g
GE17-AW	17.0	47.0	11.5	11.5	28.0	43.4	34.0	50.0	16.0	11.0	0.6	0.2	6.0	88000	176000	160 g
GE20-AW	20.0	55.0	14.3	13.0	33.5	50.0	40.0	60.0	20.0	12.5	1.0	0.3	6.0	112000	224000	250 g
GE25-AW	25.0	62.0	16.0	17.0	34.5	57.5	45.0	66.0	22.5	14.0	1.0	0.3	7.0	193000	390000	380 g
GE30-AW	30.0	75.0	18.0	19.5	44.0	69.0	56.0	80.0	26.0	17.5	1.0	0.3	6.0	255000	510000	650 g
GE35-AW	35.0	90.0	22.0	20.0	52.0	84.0	66.0	98.0	28.0	22.0	1.0	0.3	6.0	390000	780000	1000 g
GE40-AW	40.0	105.0	27.0	22.0	59.0	98.0	78.0	114.0	32.0	24.5	1.0	0.3	6.0	560000	1120000	1600 g
GE45-AW	45.0	120.0	31.0	25.0	68.0	112.0	89.0	130.0	36.5	27.5	1.0	0.3	6.0	735000	1460000	2400 g
GE50-AW	50.0	130.0	33.5	32.0	69.0	122.5	98.0	140.0	42.5	30.0	1.0	0.3	5.0	980000	1960000	3300 g
GE60-AW	60.0	150.0	37.0	33.0	86.0	140.0	108.0	160.0	45.0	35.0	1.0	0.3	7.0	1100000	2200000	4500 g
GE70-AW	70.0	160.0	40.0	36.0	95.0	149.5	121.0	170.0	50.0	35.0	1.0	0.3	6.0	1200000	2400000	5500 g
GE80-AW	80.0	180.0	42.0	36.0	108.0	168.0	130.0	194.0	50.0	42.5	1.0	0.3	6.0	1560000	3100000	7000 g
GE100-AW	100.0	210.0	50.0	42.0	133.0	195.5	155.0	220.0	59.0	45.0	1.0	0.3	7.0	1800000	3600000	10500 g
GE120-AW	120.0	230.0	52.0	45.0	154.0	214.0	170.0	245.0	64.0	52.5	1.0	0.3	8.0	1860000	3750000	13000 g

Rótula Axial Esferica con Mantenimiento



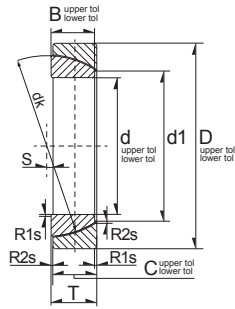
(MF) = Maintenance Free
(RM) = Requiring Maintenance



25

Ref	Dimension (mm)														α°	*Load Rating		Weight (g) approx.
	d	D	H	dk	d1	d2	d3	B	C	S	A	R1s	R2s	C, dyn. N		C, stat. N		
GE10-AX	10.0	30.0	9.5	32.0	16.5	27.5	21	7.9	6.0	7.0	3.0	0.6	0.2	10.0	21960	109800	40 g	
GE12-AX	12.0	35.0	13.0	37.0	19.5	32.0	24	9.3	9.0	8.0	4.0	0.6	0.2	9.0	29160	145800	70 g	
GE15-AX	15.0	42.0	15.0	45.0	24.0	38.9	29	10.7	11.0	10.0	5.0	0.6	0.2	7.0	46980	234900	120 g	
GE17-AX	17.0	47.0	16.0	50.0	28.0	43.4	34	11.5	11.5	11.0	5.0	0.6	0.15	6.0	53280	266400	160 g	
GE20-AX	20.0	55.0	20.0	60.0	33.5	50.0	40	14.3	13.0	12.5	6.0	1.0	0.3	6.0	67590	337500	250 g	
GE25-AX	25.0	62.0	22.5	66.0	34.5	57.5	45	16.0	17.0	14.0	6.0	1.0	0.3	7.0	116100	580500	380 g	
GE30-AX	30.0	75.0	26.0	80.0	44.0	69.0	56	18.0	19.5	17.5	8.0	1.0	0.3	6.0	152100	763200	650 g	
GE35-AX	35.0	90.0	28.0	98.0	52.0	84.0	66	22.0	20.0	22.0	8.0	1.0	0.3	6.0	233100	1161000	1000 g	
GE40-AX	40.0	105.0	32.0	114.0	59.0	98.0	78	27.0	22.0	24.5	9.0	1.0	0.3	6.0	335700	1674000	1600 g	
GE45-AX	45.0	120.0	36.5	130.0	68.0	112.0	89	31.0	25.0	27.5	11.0	1.0	0.3	6.0	437400	2187000	2400 g	
GE50-AX	50.0	130.0	42.5	140.0	69.0	122.5	98	33.5	32.0	30.0	10.0	1.0	0.3	5.0	585000	2925000	3300 g	

Rótula de Contacto Angular libre de Mantenimiento



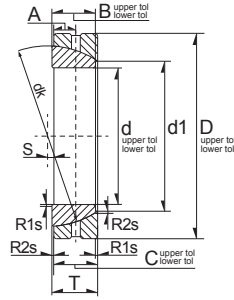
(MF) = Maintenance Free
(RM) = Requiring Maintenance



26

Ref	Dimension (mm)								*Load Rating		Weight (g) approx.
	d	D	T	B	C	d1	dk	S	C, dyn. N	C, stat. N	
GE25-SW	25.0	47.0	15.0	14.0	14.0	31.4	42.5	1.0	71000	140000	140 g
GE28-SW	28.0	52.0	16.0	15.0	15.0	35.7	47.0	1.0	90000	180000	180 g
GE30-SW	30.0	55.0	17.0	16.0	16.0	36.1	50.0	2.0	95000	190000	220 g
GE32-SW	32.0	58.0	17.0	17.0	16.0	37.5	52.0	2.0	102000	204000	240 g
GE35-SW	35.0	62.0	18.0	17.0	17.0	42.4	56.0	2.0	116000	232000	280 g
GE40-SW	40.0	68.0	19.0	18.0	18.0	46.8	60.0	1.5	134000	270000	340 g
GE45-SW	45.0	75.0	20.0	19.0	19.0	52.9	66.0	1.5	160000	320000	430 g
GE50-SW	50.0	80.0	20.0	19.0	19.0	59.1	74.0	4.0	176000	355000	470 g
GE55-SW	55.0	90.0	23.0	22.0	22.0	62.0	80.0	4.0	220000	440000	700 g
GE60-SW	60.0	95.0	23.0	22.0	22.0	68.1	86.0	5.0	240000	480000	750 g
GE65-SW	65.0	100.0	23.0	22.0	22.0	75.6	92.0	5.0	260000	520000	800 g
GE70-SW	70.0	110.0	25.0	24.0	24.0	82.2	102.0	7.0	315000	630000	1000 g
GE75-SW	75.0	115.0	25.0	25.0	25.0	84.4	107.0	7.9	345000	670000	1100 g
GE80-SW	80.0	125.0	29.0	27.0	27.0	90.5	115.0	10.0	375000	750000	1600 g
GE85-SW	85.0	130.0	29.0	29.0	26.5	94.8	122.0	9.4	425000	810000	1700 g
GE90-SW	90.0	140.0	32.0	30.0	30.0	103.3	130.0	11.0	480000	965000	2200 g
GE95-SW	95.0	145.0	32.0	32.0	29.5	104.4	135.0	10.8	500000	1000000	2300 g
GE100-SW	100.0	150.0	32.0	30.0	30.0	114.3	140.0	12.0	520000	1040000	2400 g
GE105-SW	105.0	160.0	35.0	35.0	32.5	113.8	148.0	12.3	565000	1250000	2900 g
GE110-SW	110.0	170.0	38.0	36.0	36.0	125.8	160.0	15.0	710000	1430000	3700 g
GE120-SW	120.0	180.0	38.0	36.0	36.0	135.4	170.0	17.0	765000	1530000	4000 g

Rótula de Contacto Angular con Mantenimiento



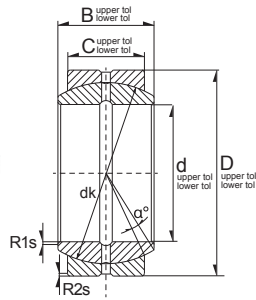
(MF) = Maintenance Free
(RM) = Requiring Maintenance



27

Ref	Dimension (mm)									α°	*Load Rating		Weight (g) approx.
	d	D	T	A	B	C	d1	dk	S		C, dyn. N	C, stat. N	
GE25-SX	25.0	47.0	15.0	7.5	14.0	14.0	31.4	42.5	1.0	7.5	43020	215100	130 g
GE28-SX	28.0	52.0	16.0	8.0	15.0	15.0	35.7	47.0	1.0	8.0	51930	259200	170 g
GE30-SX	30.0	55.0	17.0	8.5	16.0	16.0	36.1	50.0	2.0	8.5	58140	290700	210 g
GE32-SX	32.0	58.0	17.0	8.5	17.0	16.0	37.5	52.0	2.0	8.5	63900	318600	240 g
GE35-SX	35.0	62.0	18.0	9.0	17.0	17.0	42.4	56.0	2.0	9.0	70740	353700	270 g
GE40-SX	40.0	68.0	19.0	9.5	18.0	18.0	46.8	60.0	1.5	9.5	81720	408600	320 g
GE45-SX	45.0	75.0	20.0	10.0	19.0	19.0	52.9	66.0	1.5	10.0	95400	478800	410 g
GE50-SX	50.0	80.0	20.0	10.0	19.0	19.0	59.1	74.0	4.0	10.0	106200	532800	450 g
GE55-SX	55.0	90.0	23.0	11.5	22.0	22.0	62.0	80.0	4.0	11.5	134100	671400	1670 g
GE60-SX	60.0	95.0	23.0	11.5	22.0	22.0	68.1	86.0	5.0	11.5	144900	724500	720 g
GE65-SX	65.0	100.0	23.0	11.5	22.0	22.0	75.6	92.0	5.0	11.5	155700	780300	760 g
GE70-SX	70.0	110.0	25.0	12.5	24.0	24.0	82.2	102.0	7.0	12.5	188100	936000	1000 g
GE75-SX	75.0	115.0	25.0	12.5	25.0	24.0	84.4	107.0	7.9	12.5	198000	1016100	1100 g
GE80-SX	80.0	125.0	29.0	14.5	27.0	27.0	90.5	115.0	10.0	14.5	220500	1098000	1500 g
GE85-SX	85.0	130.0	29.0	14.5	29.0	26.5	94.8	122.0	9.4	14.5	255600	1279800	1600 g
GE90-SX	90.0	140.0	32.0	16.0	30.0	30.0	103.3	130.0	11.0	16.0	282600	1413000	2100 g
GE95-SX	95.0	145.0	32.0	16.0	32.0	29.5	104.4	135.0	10.8	16.0	301500	1575000	2200 g
GE100-SX	100.0	150.0	32.0	16.0	30.0	30.0	114.3	140.0	12.0	16.0	305100	1530000	2300 g
GE105-SX	105.0	160.0	35.0	17.5	35.0	32.5	113.8	148.0	12.3	17.5	380700	1904400	2900 g
GE110-SX	110.0	170.0	38.0	19.0	36.0	36.0	125.8	160.0	15.0	19.0	422100	2106000	3600 g
GE120-SX	120.0	180.0	38.0	19.0	36.0	36.0	135.4	170.0	17.0	19.0	449100	2241000	3900 g

Rótula Radial Esférica con Mantenimiento



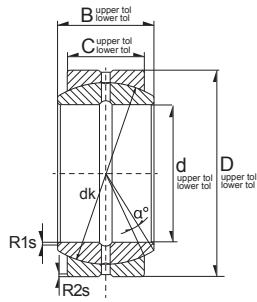
(MF) = Maintenance Free
(RM) = Requiring Maintenance



28

Ref	Dimension (mm)						α°	Mounting Dimensions da	*Load Rating		Weight (g) approx.
	d	D	B	C	Da	dk			C, dyn. N	C, stat. N	
GE17-DO-2RS	17.0	30.0	14.0	10.0	24.0	25.0	10.0	20.7	19170	95400	41 g
GE20-DO-2RS	20.0	35.0	16.0	12.0	27.5	29.0	9.0	24.2	26640	133200	65 g
GE25-DO-2RS	25.0	42.0	20.0	16.0	33.0	35.5	7.0	29.3	43470	216900	120 g
GE30-DO-2RS	30.0	47.0	22.0	18.0	38.0	40.7	6.0	34.2	56070	279900	150 g
GE35-DO-2RS	35.0	55.0	25.0	20.0	44.5	47.0	6.0	39.8	71910	360000	230 g
GE40-DO-2RS	40.0	62.0	28.0	22.0	51.0	53.0	7.0	45.0	89190	446400	320 g
GE45-DO-2RS	45.0	68.0	32.0	25.0	57.0	60.0	7.0	50.8	115200	575100	420 g
GE50-DO-2RS	50.0	75.0	35.0	28.0	63.0	66.0	6.0	56.0	141300	706500	560 g
GE60-DO-2RS	60.0	90.0	44.0	36.0	75.0	80.0	6.0	66.8	220500	1098000	1030 g
GE70-DO-2RS	70.0	105.0	49.0	40.0	87.0	92.0	6.0	77.9	281700	1404000	1560 g
GE80-DO-2RS	80.0	120.0	55.0	45.0	99.0	105.0	6.0	89.4	361800	1809000	2290 g
GE90-DO-2RS	90.0	130.0	60.0	50.0	108.0	115.0	5.0	98.1	440100	2196000	2760 g
GE100-DO-2RS	100.0	150.0	70.0	55.0	123.0	130.0	7.0	109.5	547200	2736000	4420 g
GE110-DO-2RS	110.0	160.0	70.0	55.0	134.0	140.0	6.0	121.2	589500	2952000	4800 g
GE120-DO-2RS	120.0	180.0	85.0	70.0	150.0	160.0	6.0	135.6	856800	4284000	8060 g
GE140-DO-2RS	140.0	210.0	90.0	70.0	173.0	180.0	7.0	155.9	963000	4824000	11200 g
GE160-DO-2RS	160.0	230.0	105.0	80.0	191.0	200.0	8.0	170.2	1224000	6120000	14200 g
GE180-DO-2RS	180.0	260.0	105.0	80.0	219.0	225.0	6.0	199.0	1377000	6885000	18600 g
GE200-DO-2RS	200.0	290.0	130.0	100.0	239.0	250.0	7.0	213.5	1917000	9540000	28500 g

Rótula Radial Esférica con Mantenimiento



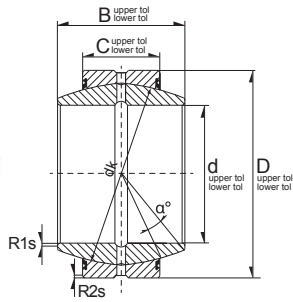
(MF) = Maintenance Free
(RM) = Requiring Maintenance



29

Ref	Dimension (mm)						α°	Mounting Dimensions da	*Load Rating		Weight (g) approx.
	d	D	B	C	Da	dk			C, dyn. N	C, stat. N	
GE6-DO	6.0	14.0	6.0	4.0	9.6	10.0	13.0	8.0	3060	15300	5 g
GE8-DO	8.0	16.0	8.0	5.0	12.5	13.0	15.0	10.2	5031	25200	7 g
GE10-DO	10.0	19.0	9.0	6.0	15.5	16.0	12.0	13.2	7344	36720	12 g
GE12-DO	12.0	22.0	10.0	7.0	17.5	18.0	11.0	14.9	9720	48600	17 g
GE15-DO	15.0	26.0	12.0	9.0	21.0	22.0	8.0	18.4	15210	76230	27 g
GE16-DO	16.0	30.0	14.0	10.0	24.0	25.0	10.0	20.7	19170	95400	34 g
GE17-DO	17.0	30.0	14.0	10.0	24.0	25.0	10.0	20.7	19170	95400	44 g
GE20-DO	20.0	35.0	16.0	12.0	27.5	29.0	9.0	24.2	26640	133200	65 g
GE25-DO	25.0	42.0	20.0	16.0	33.0	35.5	7.0	29.3	43470	216900	120 g
GE30-DO	30.0	47.0	22.0	18.0	38.0	40.7	6.0	34.2	56070	279900	150 g
GE35-DO	35.0	55.0	25.0	20.0	44.5	47.0	6.0	39.8	71910	360000	230 g
GE40-DO	40.0	62.0	28.0	22.0	51.0	53.0	7.0	45.0	89190	446400	320 g
GE45-DO	45.0	68.0	32.0	25.0	57.0	60.0	7.0	50.8	115200	575100	420 g
GE50-DO	50.0	75.0	35.0	28.0	63.0	66.0	6.0	56.0	141300	706500	560 g
GE60-DO	60.0	90.0	44.0	36.0	75.0	80.0	6.0	66.8	220500	1098000	1030 g
GE70-DO	70.0	105.0	49.0	40.0	87.0	92.0	6.0	77.9	281700	1404000	1560 g
GE80-DO	80.0	120.0	55.0	45.0	99.0	105.0	6.0	89.4	361800	1809000	2290 g
GE90-DO	90.0	130.0	60.0	50.0	108.0	115.0	5.0	98.1	440100	2196000	2760 g
GE100-DO	100.0	150.0	70.0	55.0	123.0	130.0	7.0	109.5	547200	2736000	4420 g
GE110-DO	110.0	160.0	70.0	55.0	134.0	140.0	6.0	121.2	589500	2952000	4800 g
GE120-DO	120.0	180.0	85.0	70.0	150.0	160.0	6.0	135.6	856800	4284000	8060 g
GE140-DO	140.0	210.0	90.0	70.0	173.0	180.0	7.0	155.9	963000	4824000	11200 g
GE160-DO	160.0	230.0	105.0	80.0	191.0	200.0	8.0	170.2	1224000	6120000	14200 g
GE180-DO	180.0	260.0	105.0	80.0	219.0	225.0	6.0	199.0	1377000	6885000	18600 g
GE200-DO	200.0	290.0	130.0	100.0	239.0	250.0	7.0	213.5	1917000	9540000	28500 g

Rótula Radial Esférica con Mantenimiento



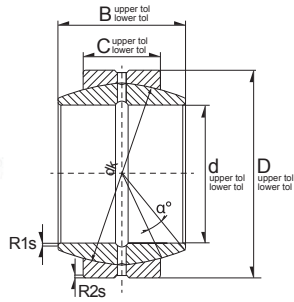
(MF) = Maintenance Free
(RM) = Requiring Maintenance



30

Ref	Dimension (mm)							Mounting Dimensions da	*Load Rating		Weight (g) approx.
	d	D	B	C	Da	dk	α°		C, dyn. N	C, stat. N	
GE15-FO-2RS	15.0	30.0	16.0	10.0	24.0	25.0	16.0	19.2	19170	95400	47 g
GE17-FO-2RS	17.0	35.0	20.0	12.0	27.5	29.0	19.0	21.0	26640	133200	79 g
GE20-FO-2RS	20.0	42.0	25.0	16.0	33.0	35.5	17.0	25.2	43470	216900	150 g
GE25-FO-2RS	25.0	47.0	28.0	18.0	38.0	40.7	17.0	29.5	56070	279900	200 g
GE30-FO-2RS	30.0	55.0	32.0	20.0	44.5	47.0	17.0	34.4	71910	360000	300 g
GE35-FO-2RS	35.0	62.0	35.0	22.0	51.0	53.0	16.0	39.8	89190	446400	400 g
GE40-FO-2RS	40.0	68.0	40.0	25.0	57.0	60.0	17.0	44.7	115200	575100	530 g
GE45-FO-2RS	45.0	75.0	43.0	28.0	63.0	66.0	15.0	50.1	141300	706500	690 g
GE50-FO-2RS	50.0	90.0	56.0	36.0	75.0	80.0	17.0	57.1	220500	1098000	1410 g
GE60-FO-2RS	60.0	105.0	63.0	40.0	87.0	92.0	17.0	67.0	281700	1404000	2100 g
GE70-FO-2RS	70.0	120.0	70.0	40.0	99.0	105.0	16.0	78.3	361800	1809000	3000 g
GE80-FO-2RS	80.0	130.0	75.0	50.0	108.0	115.0	14.0	87.2	440100	2196000	3600 g
GE90-FO-2RS	90.0	150.0	85.0	55.0	123.0	130.0	15.0	98.4	547200	2736000	5500 g
GE100-FO-2RS	100.0	160.0	85.0	55.0	134.0	140.0	14.0	111.2	589500	2952000	6000 g
GE110-FO-2RS	110.0	180.0	100.0	70.0	150.0	160.0	12.0	124.9	856800	4284000	9700 g
GE120-FO-2RS	120.0	210.0	115.0	70.0	173.0	180.0	16.0	138.5	963000	4824000	15100 g

Rótula Radial Esférica con Mantenimiento



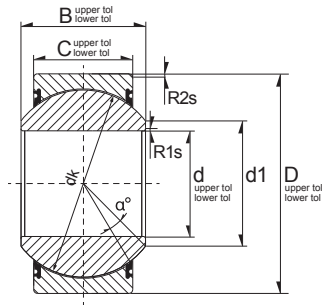
(MF) = Maintenance Free
(RM) = Requiring Maintenance



31

Ref	Dimension (mm)							Mounting Dimensions da	*Load Rating		Weight (g) approx.
	d	D	B	C	Da	dk	α°		C, dyn. N	C, stat. N	
GE6-FO	6.0	16.0	9.0	5.0	12.5	13.0	21.0	9.4	4950	24750	9 g
GE8-FO	8.0	19.0	11.0	6.0	15.5	16.0	21.0	11.6	7344	36720	15 g
GE10-FO	10.0	22.0	12.0	7.0	17.5	18.0	18.0	13.4	9720	48600	21 g
GE12-FO	12.0	26.0	15.0	9.0	21.0	22.0	18.0	16.1	15210	76230	37 g
GE15-FO	15.0	30.0	16.0	10.0	24.0	25.0	16.0	19.2	19170	95400	47 g
GE17-FO	17.0	35.0	20.0	12.0	27.5	29.0	19.0	21.0	26640	133200	79 g
GE20-FO	20.0	42.0	25.0	16.0	33.0	35.5	17.0	25.2	43470	216900	150 g
GE25-FO	25.0	47.0	28.0	18.0	38.0	40.7	17.0	29.5	56070	279900	200 g
GE30-FO	30.0	55.0	32.0	20.0	44.5	47.0	17.0	34.4	71910	360000	300 g
GE35-FO	35.0	62.0	35.0	22.0	51.0	53.0	16.0	39.8	89190	446400	400 g
GE40-FO	40.0	68.0	40.0	25.0	57.0	60.0	17.0	44.7	115200	575100	530 g
GE45-FO	45.0	75.0	43.0	28.0	63.0	66.0	15.0	50.1	141300	706500	690 g
GE50-FO	50.0	90.0	56.0	36.0	75.0	80.0	17.0	57.1	220500	1098000	1410 g
GE60-FO	60.0	105.0	63.0	40.0	87.0	92.0	17.0	67.0	281700	1404000	2100 g
GE70-FO	70.0	120.0	70.0	45.0	99.0	105.0	16.0	78.3	361800	1809000	3000 g
GE80-FO	80.0	130.0	75.0	50.0	108.0	115.0	14.0	87.2	440100	2196000	3600 g
GE90-FO	90.0	150.0	85.0	55.0	123.0	130.0	15.0	98.4	547200	2736000	5500 g
GE100-FO	100.0	160.0	85.0	55.0	134.0	140.0	14.0	111.2	589500	2952000	6000 g
GE110-FO	110.0	180.0	100.0	70.0	150.0	160.0	12.0	124.9	856800	4284000	9700 g
GE120-FO	120.0	210.0	115.0	70.0	173.0	180.0	16.0	138.5	963000	4824000	15100 g

Rótula Radial Esférica libre de Mantenimiento



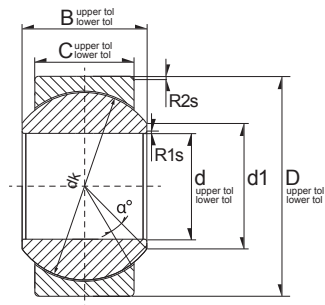
(MF) = Maintenance Free
(RM) = Requiring Maintenance



32

Ref	Dimension (mm)								*Load Rating		Weight (g) approx.
	d	D	B	C	dk	R1s	R2s	α°	C, dyn. N	C, stat. N	
GE15-FW-2RS	15.0	30.0	16.0	10.0	25.0	0.3	0.3	16.0	20250	50670	46 g
GE17-FW-2RS	17.0	35.0	20.0	12.0	29.0	0.3	0.3	19.0	28170	70470	78 g
GE20-FW-2RS	20.0	42.0	25.0	16.0	35.5	0.6	0.6	17.0	45990	115200	150 g
GE25-FW-2RS	25.0	47.0	28.0	18.0	40.7	0.6	0.6	17.0	59310	148500	190 g
GE30-FW-2RS	30.0	55.0	32.0	20.0	47.0	0.6	1.0	17.0	190800	317700	290 g
GE35-FW-2RS	35.0	62.0	35.0	22.0	53.0	0.6	1.0	16.0	252000	419400	390 g
GE40-FW-2RS	40.0	68.0	40.0	25.0	60.0	0.6	1.0	17.0	324000	540000	520 g
GE45-FW-2RS	45.0	75.0	43.0	28.0	66.0	0.6	1.0	15.0	399600	665100	680 g
GE50-FW-2RS	50.0	90.0	56.0	36.0	80.0	0.6	1.0	17.0	621900	1035000	1400 g
GE60-FW-2RS	60.0	105.0	63.0	40.0	92.0	1.0	1.0	17.0	794700	1323000	2000 g
GE70-FW-2RS	70.0	120.0	70.0	45.0	105.0	1.0	1.0	16.0	1017000	1701000	2900 g
GE80-FW-2RS	80.0	130.0	75.0	50.0	115.0	1.0	1.0	14.0	1242000	2070000	3500 g
GE90-FW-2RS	90.0	150.0	85.0	55.0	130.0	1.0	1.0	15.0	1548000	2574000	5400 g
GE100-FW-2RS	100.0	160.0	85.0	55.0	140.0	1.0	1.0	14.0	1665000	2772000	6000 g
GE110-FW-2RS	110.0	180.0	100.0	70.0	160.0	1.0	1.0	12.0	2421000	4032000	9700 g
GE120-FW-2RS	120.0	210.0	115.0	70.0	180.0	1.0	1.0	16.0	2718000	4536000	14000 g
GE140-FW-2RS	140.0	230.0	130.0	80.0	200.0	1.0	1.0	16.0	3456000	5760000	19000 g
GE160-FW-2RS	160.0	260.0	135.0	80.0	225.0	1.1	1.1	16.0	3888000	6480000	24700 g
GE180-FW-2RS	180.0	290.0	155.0	100.0	250.0	1.1	1.1	14.0	5400000	9000000	35900 g
GE200-FW-2RS	200.0	320.0	165.0	100.0	275.0	1.1	1.1	15.0	5940000	9900000	45300 g
GE220-FW-2RS	220.0	340.0	175.0	100.0	300.0	1.1	1.1	16.0	6480000	10800000	51100 g
GE240-FW-2RS	240.0	370.0	190.0	110.0	325.0	1.1	1.1	15.0	7722000	12870000	65100 g
GE260-FW-2RS	260.0	400.0	205.0	120.0	350.0	1.1	1.1	15.0	9090000	15120000	82400 g
GE280-FW-2RS	280.0	430.0	210.0	120.0	375.0	1.1	1.1	15.0	9720000	16200000	97200 g

Rótula Radial Esférica libre de Mantenimiento



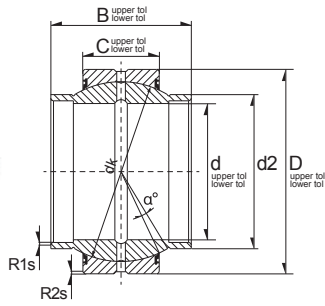
(MF) = Maintenance Free
(RM) = Requiring Maintenance



33

Ref	Dimension (mm)									*Load Rating		Weight (g) approx.
	d	D	B	C	d1	dk	R1s	R2s	α°	C, dyn. N	C, stat. N	
GE6-FW	6.0	16.0	9.0	5.0	9.0	13.0	0.3	0.3	21.0	5265	13140	8 g
GE8-FW	8.0	19.0	11.0	6.0	11.0	16.0	0.3	0.3	21.0	7776	19440	14 g
GE10-FW	10.0	22.0	12.0	7.0	13.0	18.0	0.3	0.3	18.0	10170	25560	21 g
GE12-FW	12.0	26.0	15.0	9.0	16.0	22.0	0.3	0.3	18.0	16020	40140	33 g
GE15-FW	15.0	30.0	16.0	10.0	19.0	25.0	0.3	0.3	16.0	20250	50670	49 g
GE17-FW	17.0	35.0	20.0	12.0	21.0	29.0	0.3	0.3	19.0	28170	70470	83 g
GE20-FW	20.0	42.0	25.0	16.0	24.0	35.5	0.3	0.3	17.0	45990	115200	153 g
GE25-FW	25.0	47.0	28.0	18.0	29.0	40.7	0.6	0.6	17.0	59310	148500	203 g

Rótula Radial Esférica con Mantenimiento



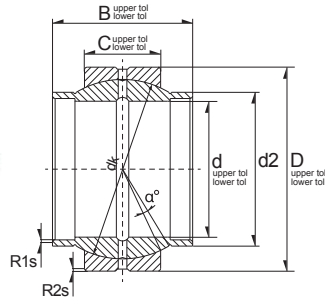
(MF) = Maintenance Free
(RM) = Requiring Maintenance



34

Ref	Dimension (mm)								Mounting Dimensions da	*Load Rating		Weight (g) approx.
	d	D	B	C	da	d2	dk	α°		C, dyn. N	C, stat. N	
GE20-HO-2RS	20.0	35.0	24.0	12.0	24.0	24.0	29.0	3.0	27.5	26640	133200	70 g
GE25-HO-2RS	25.0	42.0	29.0	16.0	29.0	29.0	35.5	3.0	33.0	43470	216900	130 g
GE30-HO-2RS	30.0	47.0	30.0	18.0	34.2	34.2	40.7	3.0	38.0	56070	279900	160 g
GE35-HO-2RS	35.0	55.0	35.0	20.0	40.0	40.0	47.0	3.0	44.5	71910	360000	250 g
GE40-HO-2RS	40.0	62.0	38.0	22.0	45.0	45.0	53.0	3.0	51.0	89190	446400	330 g
GE45-HO-2RS	45.0	68.0	40.0	25.0	51.5	51.5	60.0	3.0	57.0	115200	575100	440 g
GE50-HO-2RS	50.0	75.0	43.0	28.0	56.5	56.5	66.0	3.0	63.0	141300	706500	580 g
GE60-HO-2RS	60.0	90.0	54.0	36.0	67.7	67.7	80.0	3.0	75.0	220500	1098000	1060 g
GE70-HO-2RS	70.0	105.0	65.0	40.0	78.0	78.0	92.0	3.0	87.0	281700	1404000	1640 g
GE80-HO-2RS	80.0	120.0	74.0	45.0	90.0	90.0	105.0	3.0	99.0	361800	1809000	2440 g
GE90-HO-2RS	90.0	130.0	80.0	50.0	99.0	99.0	115.0	3.0	108.0	440100	2196000	2900 g
GE100-HO-2RS	100.0	150.0	90.0	55.0	113.0	113.0	130.0	3.0	123.0	547200	2736000	4600 g
GE110-HO-2RS	110.0	160.0	90.0	55.0	124.0	124.0	140.0	3.0	134.0	589500	2952000	5180 g
GE120-HO-2RS	120.0	180.0	108.0	70.0	138.0	138.0	160.0	3.0	150.0	856800	4284000	8700 g

Rótula Radial Esférica con Mantenimiento



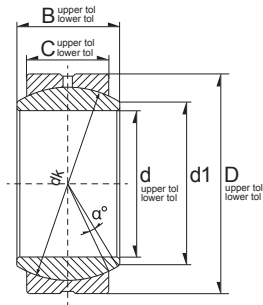
(MF) = Maintenance Free
(RM) = Requiring Maintenance



35

Ref	Dimension (mm)									*Load Rating		Weight (g) approx.
	d	D	B	C	d2	dk	R1s	R2s	α°	C, dyn. N	C, stat. N	
GE12-LO	12.0	22.0	12.0	7.0	15.5	18.0	0.3	0.3	4.0	9720	48600	22 g
GE16-LO	16.0	28.0	16.0	9.0	20.0	23.0	0.3	0.3	4.0	15930	79740	35 g
GE20-LO	20.0	35.0	20.0	12.0	25.0	29.0	0.3	0.3	4.0	26640	133200	70 g
GE25-LO	25.0	42.0	25.0	16.0	30.5	35.5	0.6	0.6	4.0	43470	21690	120 g
GE30-LO	30.0	47.0	30.0	18.0	34.0	40.7	0.6	0.6	4.0	55800	279000	168 g
GE32-LO	32.0	52.0	32.0	18.0	37.0	44.0	0.6	1.0	4.0	60570	303300	200 g
GE35-LO	35.0	55.0	35.0	20.0	40.0	47.0	0.6	1.0	4.0	71100	359100	253 g
GE40-LO	40.0	62.0	40.0	22.0	46.0	53.0	0.6	1.0	4.0	89190	446400	340 g
GE45-LO	45.0	68.0	45.0	25.0	52.0	60.0	0.6	1.0	4.0	114300	573300	481 g
GE50-LO	50.0	75.0	50.0	28.0	57.0	66.0	0.6	1.0	4.0	141300	706500	560 g
GE60-LO	60.0	90.0	60.0	36.0	68.0	80.0	1.0	1.0	4.0	220500	1098000	1150 g
GE63-LO	63.0	95.0	63.0	36.0	71.5	83.0	1.0	1.0	4.0	228600	1143000	1200 g
GE70-LO	70.0	105.0	70.0	40.0	78.0	92.0	1.0	1.0	4.0	281700	1404000	1700 g
GE80-LO	80.0	120.0	80.0	45.0	91.0	105.0	1.0	1.0	4.0	361800	1809000	2400 g
GE90-LO	90.0	130.0	90.0	50.0	99.0	115.0	1.0	1.0	4.0	440100	2196000	3200 g
GE100-LO	100.0	150.0	100.0	55.0	113.0	130.0	1.0	1.0	4.0	547200	2736000	4800 g
GE110-LO	110.0	160.0	110.0	55.0	124.0	140.0	1.0	1.0	4.0	589500	2952000	5780 g
GE125-LO	125.0	180.0	125.0	70.0	138.0	160.0	1.0	1.0	4.0	856800	4284000	8490 g

Rótula Radial Esférica con Mantenimiento



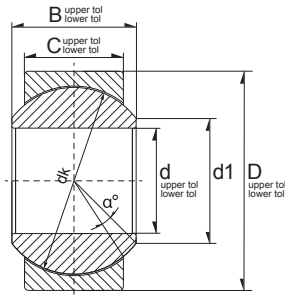
(MF) = Maintenance Free
(RM) = Requiring Maintenance



36

Ref	Dimension (mm)								*Load Rating		Weight (g) approx.
	d	D	B	C	Da	da	dK	α°	C, dyn. N	C, stat. N	
GE6-PB	6.0	16.0	9.0	6.75	11.5	9.0	12.7	13.0	3888	9720	11 g
GE8-PB	8.0	19.0	12.0	9.0	14.0	10.4	15.875	14.0	6426	16110	19 g
GE10-PB	10.0	22.0	14.0	10.5	17.0	12.9	19.05	13.0	9000	22500	28 g
GE12-PB	12.0	26.0	16.0	12.0	19.5	15.4	22.225	13.0	11970	29970	45 g
GE14-PB	14.0	28.0	19.0	13.5	22.5	16.9	25.4	16.0	15390	38610	55 g
GE16-PB	16.0	32.0	21.0	15.0	25.5	19.4	28.575	15.0	19260	48240	82 g
GE18-PB	18.0	35.0	23.0	16.5	28.5	21.9	31.75	15.0	23580	58950	110 g
GE20-PB	20.0	40.0	25.0	18.0	31.5	24.4	34.925	14.0	28260	70740	150 g
GE22-PB	22.0	42.0	28.0	20.0	34.0	25.8	38.1	15.0	34290	85770	180 g
GE25-PB	25.0	47.0	31.0	22.0	38.5	29.6	42.85	15.0	42390	106200	240 g
GE30-PB	30.0	55.0	37.0	25.0	46.0	34.8	50.8	17.0	57150	143100	390 g

Rótula Radial Esférica libre de Mantenimiento



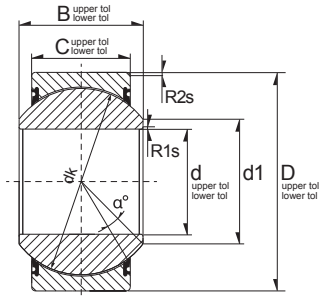
(MF) = Maintenance Free
(RM) = Requiring Maintenance



37

Ref	Dimension (mm)								*Load Rating		Weight (g) approx.
	d	D	B	C	Da	da	dK	α°	C, dyn. N	C, stat. N	
GE6-PW	6.0	16.0	9.0	6.75	11.5	8.9	12.7	13.0	6975	17460	11 g
GE8-PW	8.0	19.0	12.0	9.0	14.0	10.3	15.875	14.0	11610	28890	17 g
GE10-PW	10.0	22.0	14.0	10.5	17.0	12.9	19.05	13.0	16290	40680	27 g
GE12-PW	12.0	26.0	16.0	12.0	19.5	15.4	22.225	13.0	21600	54000	43 g
GE14-PW	14.0	28.0	19.0	13.5	22.5	16.9	25.4	16.0	27900	69750	54 g
GE16-PW	16.0	32.0	21.0	15.0	25.5	19.4	28.575	15.0	34740	86760	79 g
GE18-PW	18.0	35.0	23.0	16.5	28.5	21.9	31.75	15.0	42570	106200	100 g
GE20-PW	20.0	40.0	25.0	18.0	31.5	24.4	34.925	14.0	50940	126900	150 g
GE22-PW	22.0	42.0	28.0	20.0	34.0	25.8	38.1	15.0	61740	153900	180 g
GE25-PW	25.0	47.0	31.0	22.0	38.5	29.6	42.85	15.0	76320	190800	240 g
GE30-PW	30.0	55.0	37.0	25.0	46.0	34.8	50.8	17.0	102600	257400	380 g

Rótula Radial Esférica libre de Mantenimiento



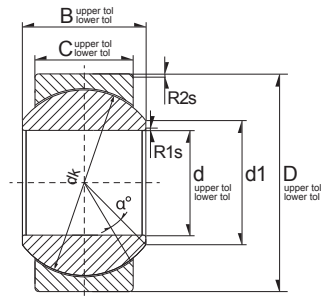
(MF) = Maintenance Free
(RM) = Requiring Maintenance



38

Ref	Dimension (mm)							*Load Rating		Weight (g) approx.
	d	D	B	C	d1	dk	α°	C, dyn. N	C, stat. N	
GE15-UK-2RS	15.0	26.0	12.0	9.0	18.0	22.0	9.0	16020	40140	35 g
GE17-UK-2RS	17.0	30.0	14.0	10.0	20.0	25.0	10.0	43920	73170	41 g
GE20-UK-2RS	20.0	35.0	16.0	12.0	24.0	29.0	9.0	61110	101700	66 g
GE25-UK-2RS	25.0	42.0	20.0	16.0	29.0	35.5	7.0	115200	191700	119 g
GE30-UK-2RS	30.0	47.0	22.0	18.0	34.0	40.7	6.0	148500	247500	153 g
GE35-UK-2RS	35.0	55.0	25.0	20.0	39.0	47.0	6.0	190800	317700	233 g
GE40-UK-2RS	40.0	62.0	28.0	22.0	45.0	53.0	7.0	252000	419400	306 g
GE45-UK-2RS	45.0	68.0	32.0	25.0	50.0	60.0	7.0	324000	540000	427 g
GE50-UK-2RS	50.0	75.0	35.0	28.0	55.0	66.0	6.0	399600	665100	546 g
GE60-UK-2RS	60.0	90.0	44.0	36.0	66.0	80.0	6.0	621900	1035000	1040 g
GE70-UK-2RS	70.0	105.0	49.0	40.0	77.0	92.0	6.0	794700	1323000	1550 g
GE80-UK-2RS	80.0	120.0	55.0	45.0	88.0	105.0	6.0	1017000	1701000	231 g
GE90-UK-2RS	90.0	130.0	60.0	50.0	98.0	115.0	5.0	1242000	2070000	2750 g
GE100-UK-2RS	100.0	150.0	70.0	55.0	109.0	130.0	7.0	1548000	2574000	4450 g
GE110-UK-2RS	110.0	160.0	70.0	55.0	121.0	140.0	6.0	1665000	2772000	4820 g
GE120-UK-2RS	120.0	180.0	85.0	70.0	135.0	160.0	6.0	2421000	4032000	8050 g
GE140-UK-2RS	140.0	210.0	90.0	70.0	155.0	180.0	7.0	2718000	4536000	11020 g
GE160-UK-2RS	160.0	230.0	105.0	80.0	170.0	200.0	8.0	3456000	5760000	14010 g
GE180-UK-2RS	180.0	260.0	105.0	80.0	199.0	225.0	6.0	3888000	6480000	18650 g
GE200-UK-2RS	200.0	290.0	130.0	100.0	213.0	250.0	7.0	5400000	9000000	28030 g

Rótula Radial Esférica libre de Mantenimiento



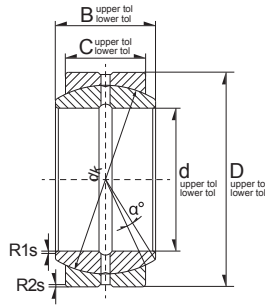
(MF) = Maintenance Free
(RM) = Requiring Maintenance



39

Ref	Dimension (mm)							*Load Rating		Weight (g) approx.
	d	D	B	C	d1	dk	α°	C, dyn. N	C, stat. N	
GE6-UK	6.0	14.0	6.0	4.0	8.0	10.0	13.0	3240	8100	4 g
GE8-UK	8.0	16.0	8.0	5.0	10.0	13.0	15.0	5265	13140	8 g
GE10-UK	10.0	19.0	9.0	6.0	13.0	16.0	12.0	7776	19440	11 g
GE12-UK	12.0	22.0	10.0	7.0	15.0	18.0	10.0	10170	25560	15 g
GE15-UK	15.0	26.0	12.0	9.0	18.0	22.0	8.0	16020	40140	27 g
GE17-UK	17.0	30.0	14.0	10.0	20.0	25.0	10.0	20250	50670	41 g
GE20-UK	20.0	35.0	16.0	12.0	24.0	29.0	9.0	28170	70470	66 g
GE25-UK	25.0	42.0	20.0	16.0	29.0	35.5	7.0	45990	115200	119 g
GE30-UK	30.0	47.0	22.0	18.0	34.0	40.7	6.0	59310	148500	163 g

Rótula Radial Esférica con Mantenimiento



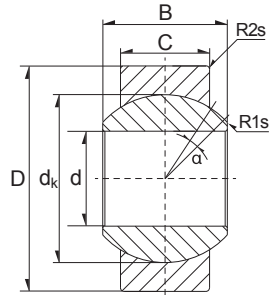
(MF) = Maintenance Free
(RM) = Requiring Maintenance



40

Ref	Dimension (mm)							Mounting Dimensions da	*Load Rating		Weight (g) approx.
	d	D	B	C	Da	dk	α°		C, dyn. N	C, stat. N	
GE19-ZO	19.05	31.75	16.662	14.275	24.5	27.5	6	21.9	28260	84780	52 g
GE22-ZO	22.225	36.513	19.431	16.662	28.5	32.0	6	25.4	38340	115200	85 g
GE25-ZO	25.4	41.275	22.225	19.05	31.5	35.5	6	27.7	48600	145800	130 g
GE31-ZO	31.75	50.8	27.762	23.8	40.5	45.5	6	36.0	77850	233100	230 g
GE34-ZO	34.925	55.563	30.15	26.187	43.5	49.0	6	38.6	91800	276300	300 g
GE38-ZO	38.1	61.913	33.325	28.575	46.5	53.0	6	41.2	108900	327600	410 g
GE44-ZO	44.45	71.438	38.887	33.325	57.0	63.9	6	50.9	153900	460800	640 g
GE50-ZO	50.8	80.963	44.45	38.1	65.0	73.0	6	57.9	200700	601200	940 g
GE57-ZO	57.15	90.488	50.013	42.85	73.0	82.0	6	65.0	252900	759600	1600 g
GE63-ZO	63.5	100.013	55.55	47.625	82.0	92.0	6	73.3	315900	945000	1780 g
GE69-ZO	69.85	111.125	61.112	52.375	89.0	100.0	6	79.2	377100	1134000	2410 g
GE76-ZO	76.2	120.65	66.675	57.15	98.0	109.5	6	86.9	450000	1350000	3100 g

Rótula Radial Esférica con Mantenimiento



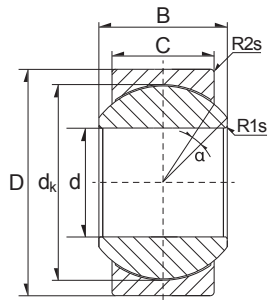
(MF) = Maintenance Free
(RM) = Requiring Maintenance



41

Ref	Dimension (mm)								*Load Rating		Weight (g) approx.
	d	D	B	C	dk	R1s	R2s	α°	C, dyn. N	C, stat. N	
GE6-E	6.0	14.0	6.0	4.0	10.0	0.3	0.3	13.0	3060	15300	4 g
GE8-E	8.0	16.0	8.0	5.0	13.0	0.3	0.3	15.0	4950	24750	7 g
GE10-E	10.0	19.0	9.0	6.0	16.0	0.3	0.3	12.0	7335	36450	11 g
GE12-E	12.0	22.0	10.0	7.0	18.0	0.3	0.3	11.0	9720	48600	16 g

Rótula Radial Esférica libre de Mantenimiento



(MF) = Maintenance Free
(RM) = Requiring Maintenance



Ref	Dimension (mm)						*Load Rating		Weight (g) approx.
	d	D	B	C	dk	α°	C, dyn. N	C, stat. N	
GE6-C	6.0	14.0	6.0	4.0	10.0	13.0	3240	8100	4 g
GE8-C	8.0	16.0	8.0	5.0	13.0	15.0	5265	13140	8 g
GE10-C	10.0	19.0	9.0	6.0	16.0	12.0	7785	19440	12 g
GE12-C	12.0	22.0	10.0	7.0	18.0	10.0	10260	25650	17 g
GE15-C	15.0	26.0	12.0	9.0	22.0	8.0	16200	40500	32 g
GE17-C	17.0	30.0	14.0	10.0	25.0	10.0	20160	50400	50 g
GE20-C	20.0	35.0	16.0	12.0	29.0	9.0	28350	70200	65 g

www.zen.biz

Todos los derechos reservados.
Ninguna parte del catálogo puede
ser copiada, extraída o modificada
sin permiso explícito del poseedor
del copyright.

v.10 / 18



Bearings for your future