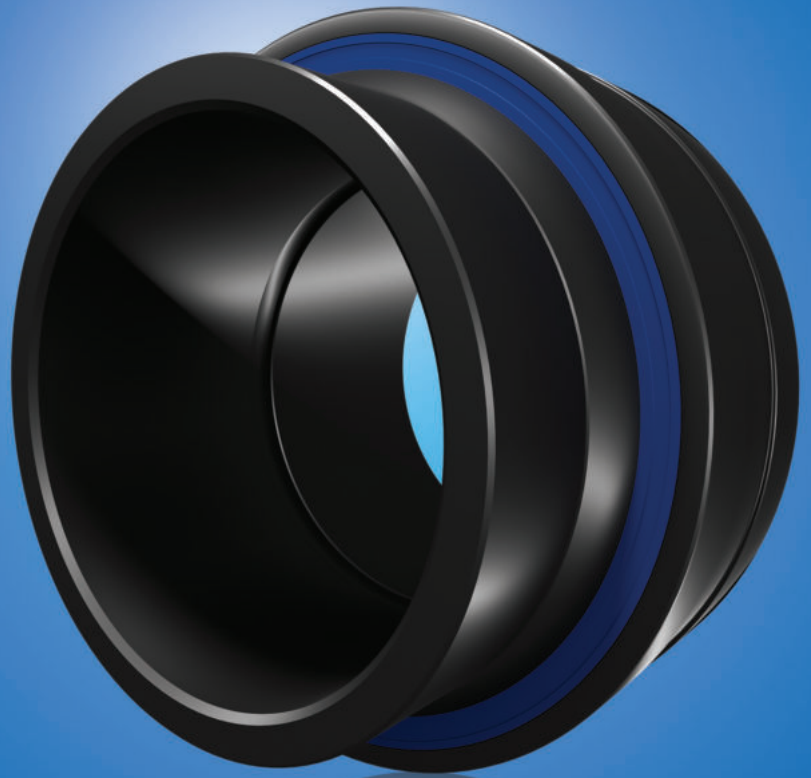


ZON™

BEARINGS FOR YOUR FUTURE



杆端关节轴承





BEARINGS FOR YOUR FUTURE

灿恩轴承品质卓越，在各种标准及非标应用中使用广泛。
无论数量多少，我们的技术部门都能够根据您的要求定制任何规格的非标轴承。

灿恩除了经营一千余种微型轴承（内径1-10mm,包括英制）之外还提供薄壁、推力、标准公制轴承以及其他各种非标轴承。我们能够按照客户的特殊需求，通过一些新型材料例如陶瓷或者特殊钢材来设计轴承以满足工业，医疗，化学或食品加工行业上的各种应用。

如果您在我们的产品目录册中无法找到您的理想型号，请联系我们经验丰富的销售团队。



灿恩已获得德国ISO 9001 TUV莱茵认证。

莱茵认证被视作轴承行业的最高检验标准，受到国际认可并得到广大客户的肯定，被视为品质和服务的保证。

www.zen.biz



杆端关节轴承



润滑油



超负荷适用



橡胶密封圈（可选）

Contents

免维护型杆端关节轴承

GAKR...PW / GAKL...PW	4
GAR...UK (2RS) / GAL...UK / GIKPR...PW	9
GIKR...PW / GIKL...PW / GIKSR...PS	13
GIR...UK (2RS) / GIL...UK (2RS)	17

需维护型杆端关节轴承

GAKR...PB / GAKL...PB	5
GAR...DO (2RS) / GAL...DO (2RS)	7
GIKR...PB / GIKL...PB	12
GIR...DO (2RS) / GIL...DO (2RS)	15

免维护型用于液压部件的杆端关节轴承

GIHRK...UK (2RS)	22
------------------	----

需维护型用于液压部件的杆端关节轴承

GF...DO	19
GIHNRK...LO	20
GIHRK...DO	21
GK...DO	23

免维护型轴向关节轴承

GE...AW	24
---------	----

需维护型轴向关节轴承

GE...AX	25
---------	----

免维护型角接触关节轴承

GE...SW	26
---------	----

需维护型角接触关节轴承

GE...SX	27
---------	----

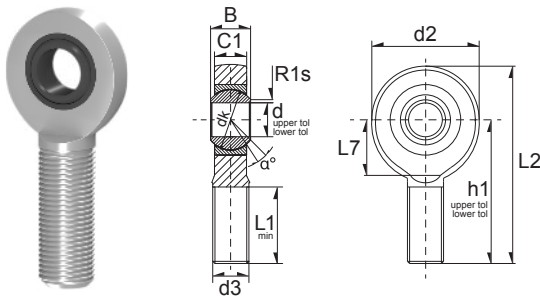
需维护型向心关节轴承

GE...DO (2RS)	28
GE...FO (2RS)	30
GE...HO (2RS)	34
GE...LO	35
GE...PB	36
GE...ZO	40
GE...ES	41

免维护型向心关节轴承

GE...FW (2RS)	32
GE...PW	37
GE...UK (2RS)	38
GE...E / GE...C	43

免维护型杆端关节轴承



(MF) = Maintenance Free
(RM) = Requiring Maintenance

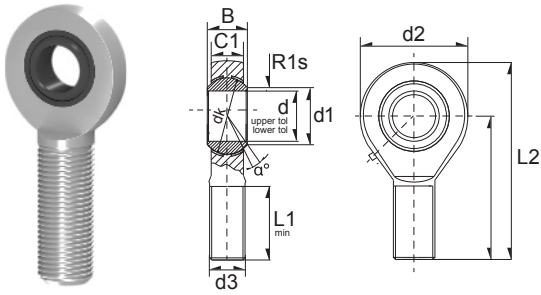


4

Ref	Dimension (mm)												α°	*Load Rating		Weight (g) approx.
	d	d2	L2	B	C1	D	d1	d3	dk	h	L1	L7		C, dyn. N	C, stat. N	
GAKR5-PW	5	18	42	8	6	19	7.7	M5x0,8	11.110	33	19	-	13	5130	5400	13 g
GAKR6-PW	6	20	46	9	6.75	16	9.	M6	12.700	36	21	-	13	6975	6237	22 g
GAKR8-PW	8	24	54	12	9	19	10.4	M8	15.875	42	25	-	14	11610	11610	42 g
GAKR10-PW	10	28	62	14	10.5	22	12.9	M10	19.050	48	28	-	13	16290	16650	69 g
GAKR12-PW	12	32	70	16	12	26	15.4	M12	22.225	54	32	-	13	21600	18720	110 g
GAKR14-PW	14	36	78	19	13.5	28	16.9	M14	25.400	60	36	18	16	27900	28800	160 g
GAKR16-PW	16	42	87	21	15	32	19.4	M16	28.575	66	37	23	15	34740	40770	230 g
GAKR18-PW	18	46	95	23	16.5	35	21.8	M18X1.5	31.750	72	41	25	15	42570	42300	280 g
GAKR20-PW	20	50	103	25	18	40	24.4	M20x1,5	34.925	78	45	26	14	50940	41040	390 g
GAKR22-PW	22	54	111	28	20	42	25.8	M22x1,5	38.100	84	48	27	15	61740	54990	480 g
GAKR25-PW	25	60	124	31	22	47	29.6	M24x2	42.850	94	55	32	15	76320	65610	670 g
GAKR30-PW	30	70	145	37	25	55	34.8	M30x2	50.800	110	66	37	17	102600	86310	1100 g

Ref	Dimension (mm)												α°	*Load Rating		Weight (g) approx.
	d	d2	L2	B	C1	D	d1	d3	dk	h	L1	L7		C, dyn. N	C, stat. N	
GAKL5-PW	5	18	42	8	6	19	7.7	M5x0,8	11.110	33	19	-	13	5130	5400	13 g
GAKL6-PW	6	20	46	9	6.75	16	8.9	M6x1,0	12.700	36	21	-	13	6975	6237	22 g
GAKL8-PW	8	24	54	12	9	19	10.3	M8x1,25	15.875	42	25	-	14	11610	11610	42 g
GAKL10-PW	10	28	62	14	10.5	22	12.9	M10x1,5	19.050	48	28	-	13	16290	16650	69 g
GAKL12-PW	12	32	70	16	12	26	15.4	M12x1,75	22.225	54	32	-	13	21600	18720	110 g
GAKL14-PW	14	36	78	19	13.5	28	16.8	M14x2,0	25.400	60	36	18	16	27900	28800	160 g
GAKL16-PW	16	42	87	21	15	32	19.3	M16x2,0	28.575	66	37	21	15	34740	40770	230 g
GAKL18-PW	18	44	94	23	16.5	35	21.8	M18x1,5	31.750	72	41	22	15	42570	42300	280 g
GAKL20-PW	20	50	103	25	18	40	24.3	M20x1,5	34.925	78	45	25	14	50940	41040	390 g
GAKL22-PW	22	54	111	28	20	42	25.8	M22x1,5	38.100	84	48	27	15	61740	54990	480 g
GAKL25-PW	25	60	124	31	22	47	29.5	M24x2,0	42.860	94	55	30	15	76320	65610	670 g
GAKL30-PW	30	70	145	37	25	55	34.8	M30x2,0	50.800	110	66	35	17	102600	86310	1100 g

需维护型杆端关节轴承



(MF) = Maintenance Free
(RM) = Requiring Maintenance

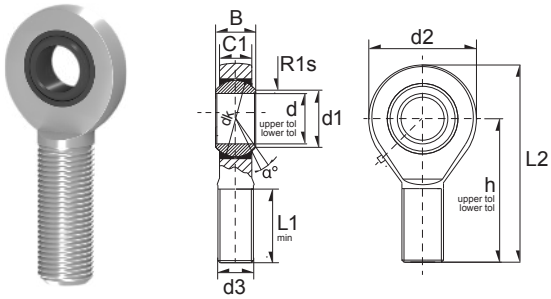


5

Ref	Dimension (mm)														α°	*Load Rating		Weight (g) approx.
	d	d2	L2	B	C1	D	d1	d3	dk	h	L1	L7	R1	C, dyn. N		C, stat. N		
GAKR5-PB	5	18	42	8	6	16	7.7	M5x0,8	11.11	33	19	-	0.3	13	5130	5400	13 g	
GAKR6-PB	6	20	46	9	6.75	16	8.9	M6	12.7	36	21	-	0.3	13	3888	6237	20 g	
GAKR8-PB	8	24	54	12	9	19	10.3	M8	15.875	42	25	-	0.3	14	6426	11610	38 g	
GAKR10-PB	10	28	62	14	10.5	22	12.9	M10	19.05	48	28	-	0.3	13	9000	16650	55 g	
GAKR12-PB	12	32	70	16	12	26	15.4	M12	22.225	54	32	-	0.3	13	11970	18720	85 g	
GAKR14-PB	14	36	78	19	3.5	28	16.8	M14	25.4	60	36	18	0.3	16	15390	28800	140 g	
GAKR16-PB	16	42	87	21	15	32	19.3	M16	28.575	66	37	23	0.3	15	19260	40770	210 g	
GAKR18-PB	18	46	95	23	16.5	35	21.8	M18X1.5	31.75	72	41	25	0.3	15	23580	42300	280 g	

Ref	Dimension (mm)														α°	*Load Rating		Weight (g) approx.
	d	d2	L2	B	C1	D	d1	d3	dk	h	L1	L7	R1	C, dyn. N		C, stat. N		
GAKL5-PB	5	18	42	8	6	16	7.7	M5x0,8	11.11	33	19	-	0.3	13	5130	5400	13 g	
GAKL6-PB	6	20	46	9	6.75	16	8.9	M6	12.7	36	21	-	0.3	13	3888	6237	20 g	
GAKL8-PB	8	24	54	12	9	19	10.3	M8	15,875	42	25	-	0.3	14	6426	11610	38 g	
GAKL10-PB	10	28	62	14	10.5	22	12.9	M10	19.05	48	28	-	0.3	13	9000	16650	55 g	
GAKL12-PB	12	32	70	16	12	26	15.4	M12	22,225	54	32	-	0.3	13	11970	18720	85 g	
GAKL14-PB	14	36	78	19	13.5	28	16.8	M14	25.4	60	36	18	0.3	16	15390	28800	140 g	
GAKL16-PB	16	42	87	21	15	32	19.3	M16	28,575	66	37	21	0.3	15	19260	40770	210 g	
GAKL18-PB	18	44	94	23	16.5	35	21.8	M18X1.5	31.75	72	41	22	0.3	15	23580	42300	280 g	

需维护型杆端关节轴承



(MF) = Maintenance Free
(RM) = Requiring Maintenance

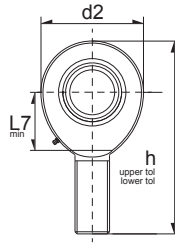
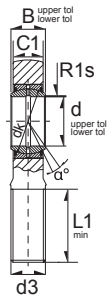


6

Ref	Dimension (mm)													α°	*Load Rating		Weight (g) approx.
	d	d2	L2	B	C1	D	d1	d3	Dk	h	L1	L7	R1		C, dyn. N	C, stat. N	
GAKR20-PB	20	50	103	25	18	40	24.3	M20X1.5	34.925	78	45	26	0.3	14	28260	41040	380 g
GAKR22-PB	22	54	111	28	20	42	25.8	M22X1.5	38.1	84	48	29	0.3	15	34290	54990	480 g
GAKR25-PB	25	60	124	31	22	47	29.5	M24X2	42.85	94	55	32	0.3	15	42390	65610	640 g
GAKR30-PB	30	70	145	37	25	55	34.8	M30X2	50.8	110	66	37	0.3	28	57150	86310	1100 g

Ref	Dimension (mm)													α°	*Load Rating		Weight (g) approx.
	d	d2	L2	B	C1	D	d1	d3	Dk	h	L1	L7	R1		C, dyn. N	C, stat. N	
GAKL20-PB	20	50	103	25	18	40	24.3	M20X1.5	34.925	78	45	26	0.3	14	28260	41040	380 g
GAKL22-PB	22	54	111	28	20	42	25.8	M22X1.5	38.1	84	48	29	0.3	15	34290	54990	480 g
GAKL25-PB	25	60	124	31	22	47	29.5	M24X2	42.85	94	55	32	0.3	15	42390	65610	640 g
GAKL30-PB	30	70	145	37	25	55	34.8	M30X2	50.8	110	66	37	0.3	28	57150	86310	1100 g

需维护型杆端关节轴承



(MF) = Maintenance Free
(RM) = Requiring Maintenance

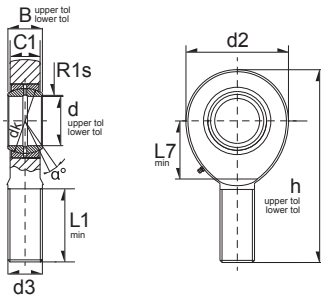


7

Ref	Dimension (mm)												α°	*Load Rating		Weight (g) approx.
	d	d2	L2	B	C1	D	d1	d3	Dk	h	L1	L7		C, dyn. N	C, stat. N	
GAR17-DO-2RS	17	46	92	14	11	30	20.7	M16	25	69	36	23	10	19170	50850	210 g
GAR20-DO-2RS	20	53	104.5	16	13	35	24.2	M2X1,5	29	78	43	27	9	26640	68040	330 g
GAR25-DO-2RS	25	64	126	20	17	42	29.3	M24X2	35.5	94	53	32	7	43470	79470	600 g
GAR30-DO-2RS	30	73	146.5	22	19	47	34.2	M30X2	40.7	110	65	37	6	56070	107100	950 g
GAR35-DO-2RS	35	82	181	25	21	55	39.8	M36X3	47	140	82	42	6	71910	143100	1530 g
GAR40-DO-2RS	40	92	196	28	23	62	45	M39X3	53	150	86	48	7	89190	174600	1970 g
GAR45-DO-2RS	45	102	214	32	27	68	50.8	M42X3	60	163	94	52	7	115200	233100	2660 g
GAR50-DO-2RS	50	112	241	35	30	75	56	M45X3	66	185	107	60	6	141300	282600	3530 g
GAR60-DO-2RS	60	135	277.5	44	38	90	66.8	M52X3	80	210	115	75	6	220500	436500	5920 g
GAR70-DO-2RS	70	160	315	49	42	105	77.9	M56X4	92	235	125	87	6	281700	507600	8510 g
GAR80-DO-2RS	80	180	360	55	47	120	89.4	M64X4	105	270	140	100	6	361800	621000	12500 g

Ref	Dimension (mm)												α°	*Load Rating		Weight (g) approx.
	d	d2	L2	B	C1	D	d1	d3	Dk	h	L1	L7		C, dyn. N	C, stat. N	
GAL17-DO-2RS	17	46	92	14	11	30	20.7	M16	25	69	36	23	10	19170	50850	210 g
GAL20-DO-2RS	20	53	104.5	16	13	35	24.2	M2X1,5	29	78	43	27	9	26640	68040	330 g
GAL25-DO-2RS	25	64	126	20	17	42	29.3	M24X2	35.5	94	53	32	7	43470	79470	600 g
GAL30-DO-2RS	30	73	146.5	22	19	47	34.2	M30X2	40.7	110	65	37	6	56070	107100	950 g
GAL35-DO-2RS	35	82	181	25	21	55	39.8	M36X3	47	140	82	42	6	71910	143100	1530 g
GAL40-DO-2RS	40	92	196	28	23	62	45	M39X3	53	150	86	48	7	89190	174600	1970 g
GAL45-DO-2RS	45	102	214	32	27	68	50.8	M42X3	60	163	94	52	7	115200	233100	2660 g
GAL50-DO-2RS	50	112	241	35	30	75	56	M45X3	66	185	107	60	6	141300	282600	3530 g
GAL60-DO-2RS	60	135	277.5	44	38	90	66.8	M52X3	80	210	115	75	6	220500	436500	5920 g
GAL70-DO-2RS	70	160	315	49	42	105	77.9	M56X4	92	235	125	87	6	281700	507600	8510 g
GAL80-DO-2RS	80	180	360	55	47	120	89.4	M64X4	105	270	140	100	6	361800	621000	12500 g

需维护型杆端关节轴承



(MF) = Maintenance Free
(RM) = Requiring Maintenance

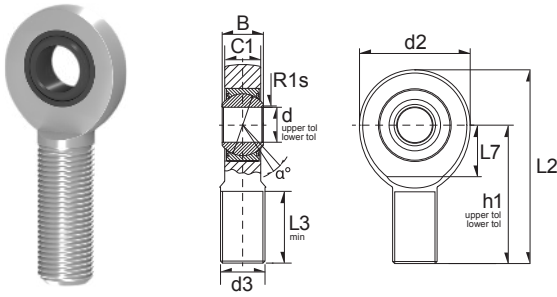


8

Ref	Dimension (mm)												α°	*Load Rating		Weight (g) approx.
	d	d2	L2	B	C1	D	d1	d3	Dk	h	L1	L7		C, dyn. N	C, stat. N	
GAR6-DO	6	21	46.5	6	4.4	14	8	M6	10	36	18	12	13	3060	6237	18 g
GAR8-DO	8	24	54	8	6	16	10.2	M8	13	42	22	14	15	5031	11610	33 g
GAR10-DO	10	29	62.5	9	7	19	13.2	M10	16	48	26	15	12	7344	18540	56 g
GAR12-DO	12	34	71	10	8	22	14.9	M12	18	54	28	18	11	9720	27180	86 g
GAR15-DO	15	40	83	12	10	26	18.4	M14	22	63	34	20	8	15210	37440	150 g
GAR17-DO	17	46	92	14	11	30	20.7	M16	25	69	36	23	10	19170	50850	210 g
GAR20-DO	20	53	104.5	16	13	35	24.2	M20X1,5	29	78	43	27	9	26640	68040	330 g
GAR25-DO	25	64	126	20	17	42	29.3	M24X2	35.5	94	53	32	7	43470	79470	600 g
GAR30-DO	30	73	146.5	22	19	47	34.2	M30X2	40.7	110	65	37	6	56070	107100	950 g

Ref	Dimension (mm)												α°	*Load Rating		Weight (g) approx.
	d	d2	L2	B	C1	D	d1	d3	Dk	h	L1	L7		C, dyn. N	C, stat. N	
GAL6-DO	6	21	46.5	6	4.4	14	8	M6	10	36	18	12	13	3060	6237	18 g
GAL8-DO	8	24	54	8	6	16	10.2	M8	13	42	22	14	15	5031	11610	33 g
GAL10-DO	10	29	62.5	9	7	19	13.2	M10	16	48	26	15	12	7344	18540	56 g
GAL12-DO	12	34	71	10	8	22	14.9	M12	18	54	28	18	11	9720	27180	86 g
GAL15-DO	15	40	83	12	10	26	18.4	M14	22	63	34	20	8	15210	37440	150 g
GAL17-DO	17	46	92	14	11	30	20.7	M16	25	69	36	23	10	19170	50850	210 g
GAL20-DO	20	53	104.5	16	13	35	24.2	M20X1,5	29	78	43	27	9	26640	68040	330 g
GAL25-DO	25	64	126	20	17	42	29.3	M24X2	35.5	94	53	32	7	43470	79470	600 g
GAL30-DO	30	73	146.5	22	19	47	34.2	M30X2	40.7	110	65	37	6	56070	107100	950 g

免维护型杆端关节轴承



(MF) = Maintenance Free
(RM) = Requiring Maintenance

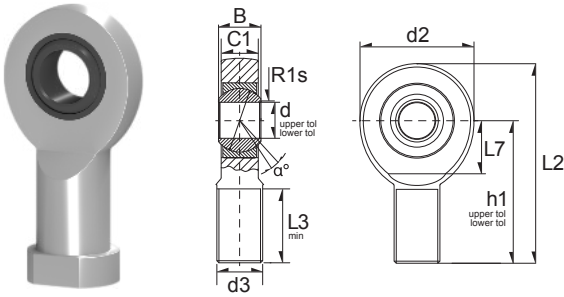


9

Ref	Dimension (mm)												α°	*Load Rating		Weight (g) approx.
	d	d2	L2	B	C1	D	d1	d3	Dk	h	L1	L7		C, dyn. N	C, stat. N	
GAR17-UK-2RS	17	46	92	14	11	30	20.7	M16	25	69	36	23	10	20250	50850	200 g
GAR20-UK-2RS	20	53	104.5	16	13	35	24.2	M20X1,5	29	78	43	27	9	28170	68040	330 g
GAR25-UK-2RS	25	64	126	20	17	42	29.3	M24X2	35.5	94	53	32	7	45990	94500	590 g
GAR30-UK-2RS	30	73	146.5	22	19	47	34.2	M30X2	40.7	110	65	37	6	59310	125100	930 g
GAR35-UK-2RS	35	82	181	25	21	55	39.8	M36X3	47	140	82	42	6	189000	143100	1530 g
GAR40-UK-2RS	40	92	196	28	23	62	45	M39X3	53	150	86	48	7	249300	174600	1970 g
GAR45-UK-2RS	45	102	214	32	27	68	50.8	M42X3	60	163	94	52	7	324000	233100	2650 g
GAR50-UK-2RS	50	112	241	35	30	75	56	M45X3	66	185	107	60	6	397800	281700	3530 g
GAR60-UK-2RS	60	135	277.5	44	38	90	66.8	M52X3	80	210	115	75	6	621000	436500	5910 g
GAR70-UK-2RS	70	160	315	49	42	105	77.9	M56X4	92	235	125	87	6	796500	507600	8510 g
GAR80-UK-2RS	80	180	360	55	47	120	89.4	M64X4	105	270	140	100	6	1012500	620100	12500 g

Ref	Dimension (mm)												α°	*Load Rating		Weight (g) approx.
	d	d2	L2	B	C1	D	d1	d3	Dk	h	L1	L7		C, dyn. N	C, stat. N	
GAL17-UK-2RS	17	46	92	14	11	30	20.7	M16	25	69	36	23	10	20250	50850	200 g
GAL20-UK-2RS	20	53	104.5	16	13	35	24.2	M20X1,5	29	78	43	27	9	28170	68040	330 g
GAL25-UK-2RS	25	64	126	20	17	42	29.3	M24X2	35.5	94	53	32	7	45990	94500	590 g
GAL30-UK-2RS	30	73	146.5	22	19	47	34.2	M30X2	40.7	110	65	37	6	59310	125100	930 g
GAL35-UK-2RS	35	82	181	25	21	55	39.8	M36X3	47	140	82	42	6	189000	143100	1530 g
GAL40-UK-2RS	40	92	196	28	23	62	45	M39X3	53	150	86	48	7	249300	174600	1970 g
GAL45-UK-2RS	45	102	214	32	27	68	50.8	M42X3	60	163	94	52	7	324000	233100	2650 g
GAL50-UK-2RS	50	112	241	35	30	75	56	M45X3	66	185	107	60	6	397800	281700	3530 g
GAL60-UK-2RS	60	135	277.5	44	38	90	66.8	M52X3	80	210	115	75	6	621000	436500	5910 g
GAL70-UK-2RS	70	160	315	49	42	105	77.9	M56X4	92	235	125	87	6	796500	507600	8510 g
GAL80-UK-2RS	80	180	360	55	47	120	89.4	M64X4	105	270	140	100	6	1012500	620100	12500 g

免维护型杆端关节轴承



(MF) = Maintenance Free
(RM) = Requiring Maintenance

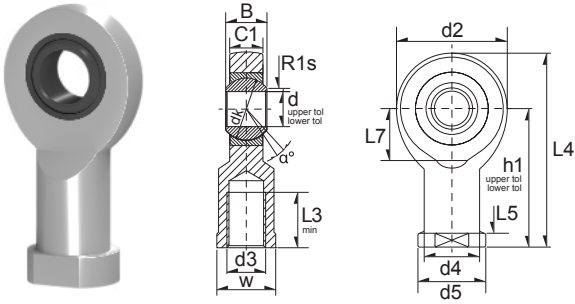


10

Ref	Dimension (mm)													*Load Rating		Weight (g) approx.
	d	d2	L2	B	C1	D	d1	d3	Dk	h	L1	L7	α°	C, dyn. N	C, stat. N	
GAR6-UK	6	21	46.5	6	4.4	14	8	M6	10	36	18	12	13	3240	6237	18 g
GAR8-UK	8	24	54	8	6	16	10.2	M8	13	42	22	14	15	5265	11610	33 g
GAR10-UK	10	29	62.5	9	7	19	13.2	M10	16	48	26	15	12	7776	18540	56 g
GAR12-UK	12	34	71	10	8	22	14.9	M12	18	54	28	18	11	10170	27180	86 g
GAR15-UK	15	40	83	12	10	26	18.4	M14	22	63	34	20	8	16020	37440	150 g
GAR17-UK	17	46	92	14	11	30	20.7	M16	25	69	36	23	10	20250	50850	210 g
GAR20-UK	20	53	104.5	16	13	35	24.2	M20X1,5	29	78	43	27	9	28170	68040	330 g
GAR25-UK	25	64	126	20	17	42	29.3	M24X2	35.5	94	53	32	7	45990	94500	600 g
GAR30-UK	30	73	146.5	22	19	47	34.2	M30X2	40.7	110	65	37	6	59310	125100	950 g

Ref	Dimension (mm)													*Load Rating		Weight (g) approx.
	d	d2	L2	B	C1	D	d1	d3	Dk	h	L1	L7	α°	C, dyn. N	C, stat. N	
GAL6-UK	6	21	46.5	6	4.4	14	8	M6	10	36	18	12	13	3240	6237	18 g
GAL8-UK	8	24	54	8	6	16	10.2	M8	13	42	22	14	15	5265	11610	33 g
GAL10-UK	10	29	62.5	9	7	19	13.2	M10	16	48	26	15	12	7776	18540	56 g
GAL12-UK	12	34	71	10	8	22	14.9	M12	18	54	28	18	11	10170	27180	86 g
GAL15-UK	15	40	83	12	10	26	18.4	M14	22	63	34	20	8	16020	37440	150 g
GAL17-UK	17	46	92	14	11	30	20.7	M16	25	69	36	23	10	20250	50850	210 g
GAL20-UK	20	53	104.5	16	13	35	24.2	M20X1,5	29	78	43	27	9	28170	68040	330 g
GAL25-UK	25	64	126	20	17	42	29.3	M24X2	35.5	94	53	32	7	45990	94500	600 g
GAL30-UK	30	73	146.5	22	19	47	34.2	M30X2	40.7	110	65	37	6	59310	125100	950 g

免维护型杆端关节轴承



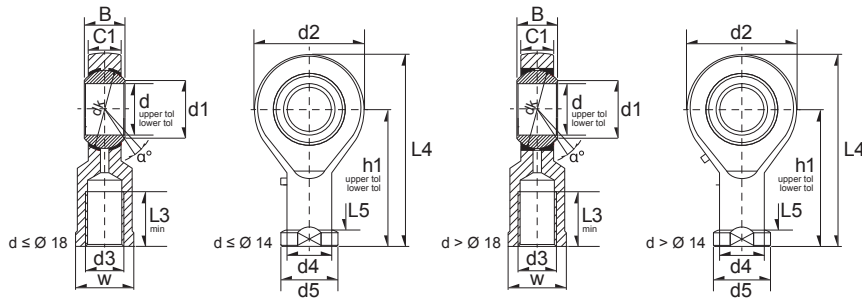
(MF) = Maintenance Free
(RM) = Requiring Maintenance



11

Ref	Dimension (mm)																	*Load Rating		Weight (g) approx.
	d	d2	L4	B	C1	D	d1	d3	d4	d5	dK	h1	L3	L5	L7	W	α°	C, dyn. N	C, stat. N	
GIKPR10-PW	10	28	57	14	10.5	22	12.9	M10X1,25	15	19	19.05	43	20	6.5	15	17	13	16290	16650	77 g
GIKPR12-PW	12	32	66	16	12	26	15.4	M12X1,25	17.5	22	22.225	50	22	6.5	17	19	13	21600	18720	100 g
GIKPR16-PW	16	42	85	21	15	32	19.3	M16X1,5	22	28	28.575	64	28	8	23	22	15	34740	40770	220 g
GIKPR30-PW	30	70	145	37	25	55	34.8	M27X2	40	50	50.8	110	51	15	37	41	17	102600	86310	1100 g

需维护型杆端关节轴承



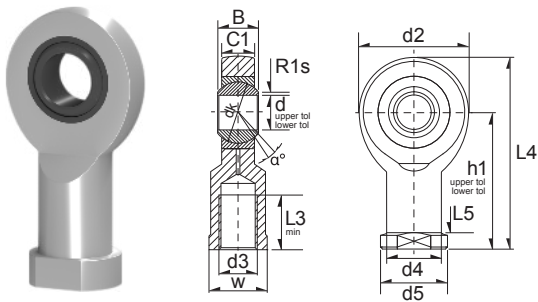
(MF) = Maintenance Free
(RM) = Requiring Maintenance

12

Ref	Dimension (mm)																	*Load Rating		Weight (g) approx.
	d	d2	L4	B	C1	D	d1	d3	d4	d5	dK	h1	L3	L5	L7	W	α°	C, dyn. N	C, stat. N	
GIKR5-PB	5	18	36	8	6	13	7.7	M5X0,8	8.5	11	11.11	27	10	4	10	9	13	2925	8262	16 g
GIKR6-PB	6	20	40	9	6.75	16	9	M6	10	13	12.7	30	12	5	11	11	13	3888	7191	29 g
GIKR8-PB	8	24	48	12	9	19	10.4	M8	12.5	16	15.875	36	16	5	13	14	14	6426	11790	50 g
GIKR10-PB	10	28	57	14	10.5	22	12.9	M10	15	19	19.05	43	20	6.6	15	17	13	9000	16650	81 g
GIKR12-PB	12	32	66	16	12	26	15.4	M12	17.5	22	22.225	50	22	6.5	17	19	13	11970	18720	130 g
GIKR14-PB	14	36	75	19	13.5	28	16.9	M14	21	26	25.4	57	25	8	18	22	16	15390	28800	190 g
GIKR16-PB	16	42	85	21	15	32	19.4	M16	22	28	28.575	64	28	8	23	22	15	19260	40770	250 g
GIKR18-PB	18	46	94	23	16.5	35	21.8	M18X1,5	25	31	31.75	71	32	10	25	27	15	23580	42300	320 g
GIKR20-PB	20	50	102	25	18	40	24.4	M20X1,5	27.5	35	34.925	77	33	10	26	30	14	28260	41040	430 g
GIKR22-PB	22	54	111	28	20	42	25.8	M22X1,5	30	38	38.1	84	37	12	29	32	15	34290	54990	540 g
GIKR25-PB	25	60	124	31	22	47	29.6	M24X2	33.5	42	42.85	94	42	12	32	36	15	42390	65610	760 g
GIKR30-PB	30	70	145	37	25	55	34.8	M30X2	40	50	50.8	110	51	15	37	41	17	57150	86310	1180 g

Ref	Dimension (mm)																	*Load Rating		Weight (g) approx.
	d	d2	L4	B	C1	D	d1	d3	d4	d5	dK	h1	L3	L5	L7	W	α°	C, dyn. N	C, stat. N	
GIKL5-PB	5	18	36	8	6	13	7.7	M5X0,8	8.5	11	11.11	27	10	4	10	9	13	2925	8262	16 g
GIKL6-PB	6	20	40	9	6.75	16	9	M6	10	13	12.7	30	12	5	11	11	13	3888	7191	29 g
GIKL8-PB	8	24	48	12	9	19	10.4	M8	12.5	16	15.875	36	16	5	13	14	14	6426	11790	50 g
GIKL10-PB	10	28	57	14	10.5	22	12.9	M10	15	19	19.05	43	20	6.6	15	17	13	9000	16650	81 g
GIKL12-PB	12	32	66	16	12	26	15.4	M12	17.5	22	22.225	50	22	6.5	17	19	13	11970	18720	130 g
GIKL14-PB	14	36	75	19	13.5	28	16.9	M14	21	26	25.4	57	25	8	18	22	16	15390	28800	190 g
GIKL16-PB	16	42	85	21	15	32	19.4	M16	22	28	28.575	64	28	8	23	22	15	19260	40770	250 g
GIKL18-PB	18	46	94	23	16.5	35	21.8	M18X1,5	25	31	31.75	71	32	10	25	27	15	23580	42300	320 g
GIKL20-PB	20	50	102	25	18	40	24.4	M20X1,5	27.5	35	34.925	77	33	10	26	30	14	28260	41040	430 g
GIKL22-PB	22	54	111	28	20	42	25.8	M22X1,5	30	38	38.1	84	37	12	29	32	15	34290	54990	540 g
GIKL25-PB	25	60	124	31	22	47	29.6	M24X2	33.5	42	42.85	94	42	12	32	36	15	42390	65610	760 g
GIKL30-PB	30	70	145	37	25	55	34.8	M30X2	40	50	50.8	110	51	15	37	41	17	57150	86310	1180 g

免维护型杆端关节轴承



(MF) = Maintenance Free
(RM) = Requiring Maintenance

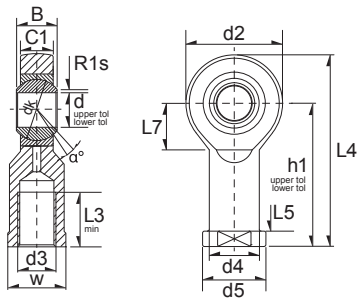


13

Ref	Dimension (mm)																*Load Rating		Weight (g) approx.	
	d	d2	L4	B	C1	D	d1	d3	d4	d5	dK	h1	L3	L5	L7	W	α°	C, dyn. N		C, stat. N
GIKR5-PW	5	18	36	8	6	13	7.7	M5	8.5	11	11.112	27	10	4	10	9	13	5400	8262	16 g
GIKR6-PW	6	20	40	9	6.75	16	9	M6	10	13	12.7	30	12	5	11	11	13	6975	7191	28 g
GIKR8-PW	8	24	48	12	9	19	10.4	M8	12.5	16	15.875	36	16	5	13	14	14	11610	11790	50 g
GIKR10-PW	10	28	57	14	10.5	22	12.9	M10	15	19	19.05	43	20	6.5	15	17	13	16290	16650	80 g
GIKR12-PW	12	32	66	16	12	26	15.4	M12	17.5	22	22.225	50	22	6.5	17	19	13	21600	18720	120 g
GIKR14-PW	14	36	75	19	13.5	28	16.9	M14	21	26	25.4	57	25	8	18	22	16	27900	28800	180 g
GIKR16-PW	16	42	85	21	15	32	19.4	M16	22	28	28.575	64	28	8	23	22	15	34740	40770	240 g
GIKR18-PW	18	46	94	23	16.5	35	21.8	M18X1,5	25	31	31.75	71	32	10	25	27	15	42570	42300	320 g
GIKR20-PW	20	50	102	25	18	40	24.4	M20X1,5	27.5	35	34.925	77	33	10	26	30	14	50940	41040	430 g
GIKR22-PW	22	54	111	28	20	42	25.8	M22X1,5	30	38	38.1	84	37	12	29	32	15	61740	54990	540 g
GIKR25-PW	25	60	124	31	22	47	29.6	M24X2	33.5	42	42.85	94	42	12	32	36	15	76320	65610	730 g
GIKR30-PW	30	70	145	37	25	55	34.8	M30X2	40	50	50.8	110	51	15	37	41	17	102600	86310	1170 g

Ref	Dimension (mm)																*Load Rating		Weight (g) approx.	
	d	d2	L4	B	C1	D	d1	d3	d4	d5	dK	h1	L3	L5	L7	W	α°	C, dyn. N		C, stat. N
GIKL5-PW	5	18	36	8	6	13	7.7	M5	8.5	11	11.112	27	10	4	10	9	13	5400	8262	16 g
GIKL6-PW	6	20	40	9	6.75	16	9	M6	10	13	12.7	30	12	5	11	11	13	6975	7191	28 g
GIKL8-PW	8	24	48	12	9	19	10.4	M8	12.5	16	15.875	36	16	5	13	14	14	11610	11790	50 g
GIKL10-PW	10	28	57	14	10.5	22	12.9	M10	15	19	19.05	43	20	6.5	15	17	13	16290	16650	80 g
GIKL12-PW	12	32	66	16	12	26	15.4	M12	17.5	22	22.225	50	22	6.5	17	19	13	21600	18720	120 g
GIKL14-PW	14	36	75	19	13.5	28	16.9	M14	21	26	25.4	57	25	8	18	22	16	27900	28800	180 g
GIKL16-PW	16	42	85	21	15	32	19.4	M16	22	28	28.575	64	28	8	23	22	15	34740	40770	240 g
GIKL18-PW	18	46	94	23	16.5	35	21.8	M18X1,5	25	31	31.75	71	32	10	25	27	15	42570	42300	320 g
GIKL20-PW	20	50	102	25	18	40	24.4	M20X1,5	27.5	35	34.925	77	33	10	26	30	14	50940	41040	430 g
GIKL22-PW	22	54	111	28	20	42	25.8	M22X1,5	30	38	38.1	84	37	12	29	32	15	61740	54990	540 g
GIKL25-PW	25	60	124	31	22	47	29.6	M24X2	33.5	42	42.85	94	42	12	32	36	15	76320	65610	730 g
GIKL30-PW	30	70	145	37	25	55	34.8	M30X2	40	50	50.8	110	51	15	37	41	17	102600	86310	1170 g

免维护型杆端关节轴承



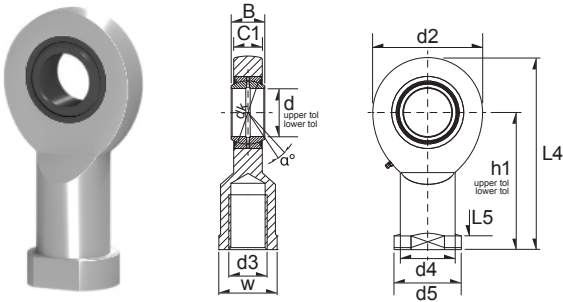
(MF) = Maintenance Free
(RM) = Requiring Maintenance



14

Ref	Dimension (mm)																	*Load Rating		Weight (g) approx.
	d	d2	L4	B	C1	D	d1	d3	d4	d5	dK	h1	L3	L5	L7	W	α°	C, dyn. N	C, stat. N	
GIKSR5-PS	5	19	36.5	8	6	13	7.7	M5	9	11	11.1	27	8	4	9	9	13	5400	3420	17 g
GIKSR6-PS	6	21	40.5	9	6.75	16	8.9	M6	10	13	12.7	30	9	5	10	11	13	6885	3060	25 g
GIKSR8-PS	8	25	48.5	12	9	19	10.3	M8	12.5	16	15.8	36	12	5	12	14	13	11610	5130	43 g
GIKSR10-PS	10	29	57.5	14	10.5	22	12.9	M10	15	19	19	43	15	6.5	14	17	13	16200	7200	72 g
GIKSR12-PS	12	33	66.5	16	12	26	15.4	M12	17.5	22	22.2	50	18	6.5	16	19	13	21600	8190	107 g
GIKSR14-PS	14	37	75.5	19	13.5	28	16.8	M14	20	25	25.4	57	21	8	18	22	15	27900	12330	160 g
GIKSR16-PS	16	43	85.5	21	15	32	19.3	M16	22	27	28.5	64	24	8	21	22	15	35100	17100	210 g
GIKSR18-PS	18	47	94.5	23	16.5	35	21.8	M18X1,5	25	31	31.7	71	27	10	23	27	15	42750	20700	295 g
GIKSR20-PS	20	51	102.5	25	18	40	24.3	M20X1,5	27.5	34	34.9	77	30	10	25	30	15	51300	20520	380 g
GIKSR22-PS	22	55	111.5	28	20	42	25.8	M22X1,5	30	37	38.1	84	33	12	27	32	15	61200	27360	490 g
GIKSR25-PS	25	61	124.5	31	22	47	29.5	M24X2	33.5	42	42.8	94	36	12	30	36	15	76500	32580	650 g
GIKSR30-PS	30	71	145.5	37	25	55	34.8	M30X2	40	50	50.8	110	45	15	35	41	15	102600	42750	1150 g

需维护型杆端关节轴承



(MF) = Maintenance Free
(RM) = Requiring Maintenance

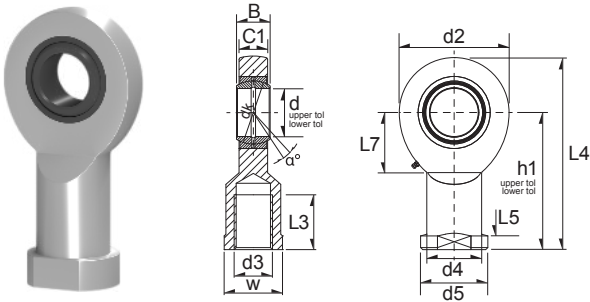


15

Ref	Dimension (mm)																α°	*Load Rating		Weight (g) approx.
	d	d2	L4	B	C1	D	d1	d3	d4	d5	dK	h1	L3	L5	L7	W		C, dyn. N	C, stat. N	
GIR17-DO-2RS	17	46	90	14	11	30	20.7	M16	24	30	25	67	34	10	23	27	10	19170	50850	250 g
GIR20-DO-2RS	20	53	103.5	16	13	35	24.2	M20X1,5	27.5	35	29	77	40	10	27	32	9	26640	68040	360 g
GIR25-DO-2RS	25	64	126	20	17	42	29.3	M24X2	33.5	42	35.5	94	48	12	32	36	7	43470	79470	660 g
GIR30-DO-2RS	30	73	146.5	22	19	47	34.2	M30X2	40	50	40.7	110	56	15	37	41	6	56070	107100	980 g
GIR35-DO-2RS	35	82	166	25	21	55	39.8	M36X3	47	58	47	125	60	15	42	50	6	71910	143100	1430 g
GIR40-DO-2RS	40	92	188	28	23	62	45	M39X3	52	65	53	142	65	18	48	55	7	89190	174600	2100 g
GIR45-DO-2RS	45	102	196	32	27	68	50.8	M42X3	58	70	60	145	65	20	52	60	7	115200	233100	2700 g
GIR50-DO-2RS	50	112	216	35	30	75	56	M45X3	62	75	66	160	68	20	60	65	6	141300	282600	3540 g
GIR60-DO-2RS	60	135	242.5	44	38	90	66.8	M52X3	70	88	80	175	70	20	75	75	6	220500	436500	5600 g
GIR70-DO-2RS	70	160	280	49	42	105	77.9	M56X4	80	98	92	200	80	20	87	85	6	281700	507600	8620 g
GIR80-DO-2RS	80	180	320	55	47	120	89.4	M64X4	95	110	105	230	85	25	100	100	6	361800	621000	13200 g

Ref	Dimension (mm)																α°	*Load Rating		Weight (g) approx.
	d	d2	L4	B	C1	D	d1	d3	d4	d5	dK	h1	L3	L5	L7	W		C, dyn. N	C, stat. N	
GIL17-DO-2RS	17	46	90	14	11	30	20.7	M16	24	30	25	67	34	10	23	27	10	19170	50850	250 g
GIL20-DO-2RS	20	53	103.5	16	13	35	24.2	M20X1,5	27.5	35	29	77	40	10	27	32	9	26640	68040	360 g
GIL25-DO-2RS	25	64	126	20	17	42	29.3	M24X2	33.5	42	35.5	94	48	12	32	36	7	43470	79470	660 g
GIL30-DO-2RS	30	73	146.5	22	19	47	34.2	M30X2	40	50	40.7	110	56	15	37	41	6	56070	107100	980 g
GIL35-DO-2RS	35	82	166	25	21	55	39.8	M36X3	47	58	47	125	60	15	42	50	6	71910	143100	1430 g
GIL40-DO-2RS	40	92	188	28	23	62	45	M39X3	52	65	53	142	65	18	48	55	7	89190	174600	2100 g
GIL45-DO-2RS	45	102	196	32	27	68	50.8	M42X3	58	70	60	145	65	20	52	60	7	115200	233100	2700 g
GIL50-DO-2RS	50	112	216	35	30	75	56	M45X3	62	75	66	160	68	20	60	65	6	141300	282600	3540 g
GIL60-DO-2RS	60	135	242.5	44	38	90	66.8	M52X3	70	88	80	175	70	20	75	75	6	220500	436500	5600 g
GIL70-DO-2RS	70	160	280	49	42	105	77.9	M56X4	80	98	92	200	80	20	87	85	6	281700	507600	8620 g
GIL80-DO-2RS	80	180	320	55	47	120	89.4	M64X4	95	110	105	230	85	25	100	100	6	361800	621000	13200 g

需维护型杆端关节轴承



(MF) = Maintenance Free
(RM) = Requiring Maintenance

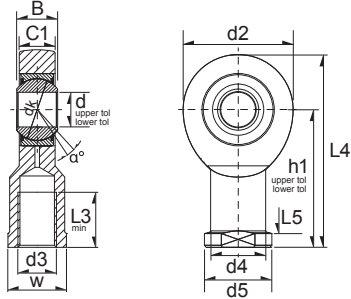


16

Ref	Dimension (mm)																	*Load Rating		Weight (g) approx.
	d	d2	L4	B	C1	D	d1	d3	d4	d5	dK	h1	L3	L5	L7	W	α°	C, dyn. N	C, stat. N	
GIR6-DO	6	21	40.5	6	4.4	14	8	M6	10	13	10	30	11	5	12	11	13	3060	9270	23 g
GIR8-DO	8	24	48	8	6	16	10.2	M8	12.5	16	13	36	15	5	14	14	15	5031	14400	39 g
GIR10-DO	10	29	57.5	9	7	19	13.2	M10	15	19	16	43	20	6.5	15	17	12	7344	19800	66 g
GIR12-DO	12	34	67	10	8	22	14.9	M12	17.5	22	18	50	23	6.5	18	19	11	9720	27360	100 g
GIR15-DO	15	40	81	12	10	26	18.4	M14	21	26	22	61	30	8	20	22	8	15210	40320	180 g
GIR17-DO	17	46	90	14	11	30	20.7	M16	24	30	25	67	34	10	23	27	10	19170	50850	250 g
GIR20-DO	20	53	103.5	16	13	35	24.2	M20X1,5	27.5	35	29	77	40	10	27	32	9	26640	68040	360 g
GIR25-DO	25	64	126	20	17	42	29.3	M24X2	33.5	42	35.5	94	48	12	32	36	7	43470	79470	660 g
GIR30-DO	30	73	146.5	22	19	47	34.2	M30X2	40	50	40.7	110	56	15	37	41	6	56070	107100	980 g

Ref	Dimension (mm)																	*Load Rating		Weight (g) approx.
	d	d2	L4	B	C1	D	d1	d3	d4	d5	dK	h1	L3	L5	L7	W	α°	C, dyn. N	C, stat. N	
GIL6-DO	6	21	40.5	6	4.4	14	8	M6	10	13	10	30	11	5	12	11	13	3060	9270	23 g
GIL8-DO	8	24	48	8	6	16	10.2	M8	12.5	16	13	36	15	5	14	14	15	5031	14400	39 g
GIL10-DO	10	29	57.5	9	7	19	13.2	M10	15	19	16	43	20	6.5	15	17	12	7344	19800	66 g
GIL12-DO	12	34	67	10	8	22	14.9	M12	17.5	22	18	50	23	6.5	18	19	11	9720	27360	100 g
GIL15-DO	15	40	81	12	10	26	18.4	M14	21	26	22	61	30	8	20	22	8	15210	40320	180 g
GIL17-DO	17	46	90	14	11	30	20.7	M16	24	30	25	67	34	10	23	27	10	19170	50850	250 g
GIL20-DO	20	53	103.5	16	13	35	24.2	M20X1,5	27.5	35	29	77	40	10	27	32	9	26640	68040	360 g
GIL25-DO	25	64	126	20	17	42	29.3	M24X2	33.5	42	35.5	94	48	12	32	36	7	43470	79470	660 g
GIL30-DO	30	73	146.5	22	19	47	34.2	M30X2	40	50	40.7	110	56	15	37	41	6	56070	107100	980 g

免维护型杆端关节轴承



(MF) = Maintenance Free
(RM) = Requiring Maintenance

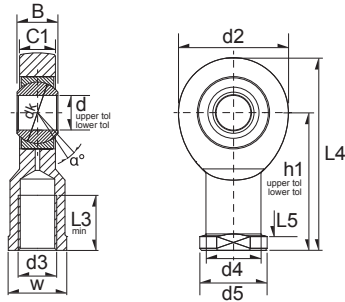


17

Ref	Dimension (mm)														α°	*Load Rating		Weight (g) approx.
	d	d2	L4	B	C1	d3	d4	d5	dk	h1	L3	L5	W	C, dyn. N		C, stat. N		
GIR17-UK-2RS	17	46	90	14	11	M16x2	24	30	25	67	34	10	27	10	20250	50850	220 g	
GIR20-UK-2RS	20	53	103.5	16	13	M20x1.5	27.5	35	29	77	40	10	32	9	28170	68040	350 g	
GIR25-UK-2RS	25	64	126	20	17	M24x2	33.5	42	35.5	94	48	12	36	7	45990	94500	640 g	
GIR30-UK-2RS	30	73	146.5	22	19	M30x2	40	50	40.7	110	56	15	41	6	59310	125100	930 g	
GIR35-UK-2RS	35	82	166	25	21	M36x3	47	58	47	125	60	15	50	6	189000	143100	1300 g	
GIR40-UK-2RS	40	92	188	28	23	M39x3	52	65	53	142	65	18	55	7	252000	174600	2000 g	
GIR45-UK-2RS	45	102	196	32	27	M42x3	58	70	60	145	65	20	60	7	324000	233100	2500 g	
GIR50-UK-2RS	50	112	216	35	30	M45x3	62	75	66	160	68	20	65	6	397800	281700	3500 g	
GIR60-UK-2RS	60	135	242.5	44	38	M52x3	70	88	80	175	70	20	75	6	621000	436500	5500 g	
GIR70-UK-2RS	70	160	280	49	42	M56x4	80	98	92	200	80	20	85	6	796500	507600	8600 g	
GIR80-UK-2RS	80	180	320	55	47	M64x4	95	110	105	230	85	25	100	6	1017000	621000	12000 g	

Ref	Dimension (mm)														α°	*Load Rating		Weight (g) approx.
	d	d2	L4	B	C1	d3	d4	d5	dk	h1	L3	L5	W	C, dyn. N		C, stat. N		
GIL17-UK-2RS	17	46	90	14	11	M16x2	24	30	25	67	34	10	27	10	20250	50850	220 g	
GIL20-UK-2RS	20	53	103.5	16	13	M20x1.5	27.5	35	29	77	40	10	32	9	28170	68040	350 g	
GIL25-UK-2RS	25	64	126	20	17	M24x2	33.5	42	35.5	94	48	12	36	7	45990	94500	640 g	
GIL30-UK-2RS	30	73	146.5	22	19	M30x2	40	50	40.7	110	56	15	41	6	59310	125100	930 g	
GIL35-UK-2RS	35	82	166	25	21	M36x3	47	58	47	125	60	15	50	6	189000	143100	1300 g	
GIL40-UK-2RS	40	92	188	28	23	M39x3	52	65	53	142	65	18	55	7	252000	174600	2000 g	
GIL45-UK-2RS	45	102	196	32	27	M42x3	58	70	60	145	65	20	60	7	324000	233100	2500 g	
GIL50-UK-2RS	50	112	216	35	30	M45x3	62	75	66	160	68	20	65	6	397800	281700	3500 g	
GIL60-UK-2RS	60	135	242.5	44	38	M52x3	70	88	80	175	70	20	75	6	621000	436500	5500 g	
GIL70-UK-2RS	70	160	280	49	42	M56x4	80	98	92	200	80	20	85	6	796500	507600	8600 g	
GIL80-UK-2RS	80	180	320	55	47	M64x4	95	110	105	230	85	25	100	6	1017000	621000	12000 g	

免维护型杆端关节轴承



(MF) = Maintenance Free
(RM) = Requiring Maintenance

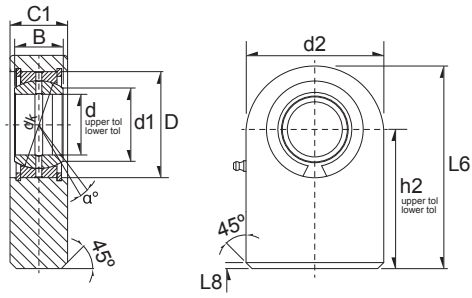
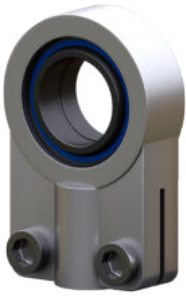


18

Ref	Dimension (mm)														α°	*Load Rating		Weight (g) approx.
	d	d2	L4	B	C1	d3	d4	d5	dk	h1	L3	L5	W	C, dyn. N		C, stat. N		
GIR6-UK	6	21	40.5	6	4.4	M6	10	13	10	30	11	5	11	13	3240	9270	21 g	
GIR8-UK	8	24	48	8	6	M8	12.5	16	13	36	15	5	14	15	5265	14400	39 g	
GIR10-UK	10	29	57.5	9	7	M10	15	19	16	43	20	6.5	17	12	7776	19800	61 g	
GIR12-UK	12	34	67	10	8	M12	17.5	22	18	50	23	6.5	19	11	10170	27360	96 g	
GIR15-UK	15	40	81	12	10	M14	21	26	22	61	30	8	22	8	16020	40320	180 g	
GIR17-UK	17	46	90	14	11	M16	24	30	25	67	34	10	27	10	20250	50850	220 g	
GIR20-UK	20	53	103.5	16	13	M20x1.5	27.5	35	29	77	40	10	32	9	28170	68040	350 g	
GIR25-UK	25	64	126	20	17	M24x2	33.5	42	35.5	94	48	12	36	7	45900	94500	640 g	
GIR30-UK	30	73	146.5	22	19	M30x2	40	50	40.7	110	56	15	41	6	59310	125100	930 g	

Ref	Dimension (mm)														α°	*Load Rating		Weight (g) approx.
	d	d2	L4	B	C1	d3	d4	d5	dk	h1	L3	L5	W	C, dyn. N		C, stat. N		
GIL6-UK	6	21	40.5	6	4.4	M6	10	13	10	30	11	5	11	13	3240	9270	21 g	
GIL8-UK	8	24	48	8	6	M8	12.5	16	13	36	15	5	14	15	5265	14400	39 g	
GIL10-UK	10	29	57.5	9	7	M10	15	19	16	43	20	6.5	17	12	7776	19800	61 g	
GIL12-UK	12	34	67	10	8	M12	17.5	22	18	50	23	6.5	19	11	10170	27360	96 g	
GIL15-UK	15	40	81	12	10	M14	21	26	22	61	30	8	22	8	16020	40320	180 g	
GIL17-UK	17	46	90	14	11	M16	24	30	25	67	34	10	27	10	20250	50850	220 g	
GIL20-UK	20	53	103.5	16	13	M20x1.5	27.5	35	29	77	40	10	32	9	28170	68040	350 g	
GIL25-UK	25	64	126	20	17	M24x2	33.5	42	35.5	94	48	12	36	7	45900	94500	640 g	
GIL30-UK	30	73	146.5	22	19	M30x2	40	50	40.7	110	56	15	41	6	59310	125100	930 g	

需维护型用于液压部件的杆端关节轴承



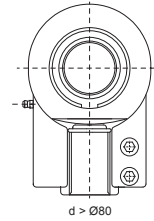
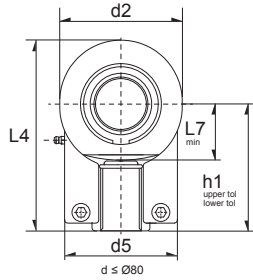
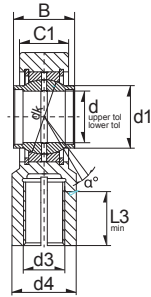
(MF) = Maintenance Free
(RM) = Requiring Maintenance



19

Ref	Dimension (mm)											α°	*Load Rating		Weight (g) approx.
	d	d2	L6	B	C1	C1max	D	d1	dK	h2	C, dyn. N		C, stat. N		
GF20-DO	20	50	63	16	19	20	35	24.2	29	38	9	26640	59040	350 g	
GF25-DO	25	55	72.5	20	23	24	42	29.3	35.5	45	7	43470	61920	530 g	
GF30-DO	30	65	83.5	22	28	29	47	34.2	40.7	51	6	56070	104400	870 g	
GF35-DO	35	83	102.5	25	30	31	55	39.8	47	61	6	71910	173700	1500 g	
GF40-DO	40	100	119	28	35	36.5	62	45	53	69	7	89190	275400	2400 g	
GF45-DO	45	110	132	32	40	41.5	68	50.8	60	77	7	115200	347400	3400 g	
GF50-DO	50	123	149.5	35	40	41.5	75	56	66	88	6	141300	397800	4400 g	
GF60-DO	60	140	170	44	50	52.5	90	66.8	80	100	6	220500	502200	7100 g	
GF70-DO	70	164	197	49	55	58	105	77.9	92	115	6	281700	652500	10500 g	
GF80-DO	80	180	231	55	60	63	120	89.4	105	141	6	361800	723600	15000 g	

需维护型用于液压部件的杆端关节轴承



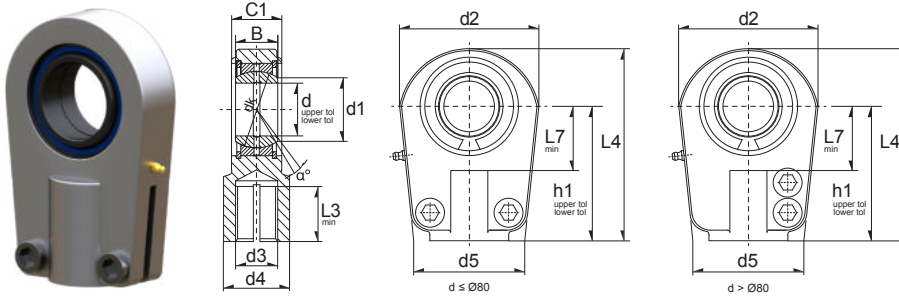
(MF) = Maintenance Free
(RM) = Requiring Maintenance



20

Ref	Dimension (mm)																	*Load Rating		Weight (g) approx.
	d	d2	l4	B	C1	C2	D	d1	d3	d4	d5	d6	dK	h1	l3	l7	α°	C, dyn. N	C, stat. N	
GIHNRK12-LO	12	32	54	12	10.6	10.6	22	15.5	M12X1,25	16.5	32	M5X12	18	38	17	14	4	9720	21600	110 g
GIHNRK16-LO	16	40	64	16	13	13	28	20	M14X1,5	21	40	M6X16	23	44	19	18	4	15930	31860	200 g
GIHNRK20-LO	20	47	75.5	20	17	17	35	25	M16X1,5	25	47	M8X20	29	52	23	22	4	26640	37350	360 g
GIHNRK25-LO	25	58	94	25	21.5	17	42	30	M20X1,5	30	54	M8X20	35.5	65	29	27	4	43470	62910	590 g
GIHNRK32-LO	32	70	115	32	27	22	52	38	M27X2	38	66	M10X25	44	80	37	32	4	60570	88920	1060 g
GIHNRK40-LO	40	89	141.5	40	32	26	62	46	M33X2	47	80	M10X25	53	97	46	41	4	89190	158400	1930 g
GIHNRK50-LO	50	108	174	50	40	32	75	57	M42X2	58	96	M12X30	66	120	57	50	4	141300	241200	3490 g
GIHNRK63-LO	63	132	211	63	52	38	95	71.5	M48X2	70	114	M12X35	83	140	64	62	4	228600	288900	6290 g
GIHNRK70-LO	70	155	245	70	57	42	105	79	M56X2	80	135	M16X40	92	160	76	70	4	281700	427500	9750 g
GIHNRK80-LO	80	168	270	80	66	48	120	91	M64X3	90	148	M16X45	105	180	86	78	4	361800	475200	13000 g
GIHNRK90-LO	90	185	296	90	72	52	130	99	M72X3	100	160	M16X50	115	195	91	85	4	440100	594000	17000 g
GIHNRK100-LO	100	210	322	100	84	62	150	113	M80X3	110	178	M20X60	130	210	96	98	4	547200	756000	23800 g

需维护型用于液压部件的杆端关节轴承



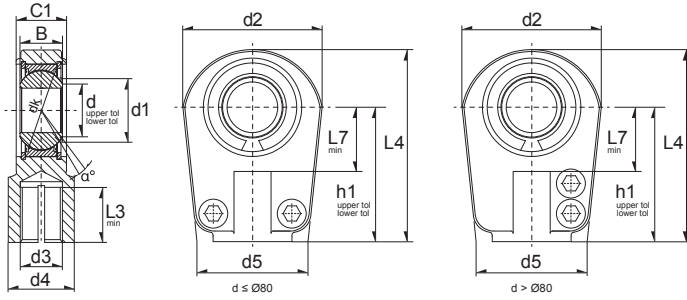
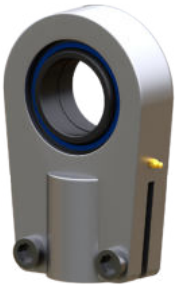
(MF) = Maintenance Free
(RM) = Requiring Maintenance



21

Ref	Dimension (mm)													α°	*Load Rating		Weight (g) approx.
	d	d2	L4	B	C1	d1	d3	d4	d5	dk	h1	L3	L7		C, dyn. N	C, stat. N	
GIHRK20-DO	20	56	80	16	19	24.2	M16x1.5	25	46	29	50	17	25	9	26640	72990	430 g
GIHRK25-DO	25	56	80	20	23	29.3	M16x1.5	25	46	35.5	50	17	28	7	43470	58950	480 g
GIHRK30-DO	30	64	94	22	28	34.2	M22x1.5	32	50	40.7	60	23	30	6	56070	87120	740 g
GIHRK35-DO	35	78	112	25	30	39.8	M28x1.5	40	66	47	70	29	38	6	71910	126000	1200 g
GIHRK40-DO	40	94	135	28	35	45.0	M35x1.5	49	76	53	85	36	45	7	89190	205200	2000 g
GIHRK50-DO	50	116	168	35	40	55.9	M45x1.5	61	90	66	105	46	55	6	141300	299700	3800 g
GIHRK60-DO	60	130	200	44	50	66.8	M58x1.5	75	120	80	130	59	65	6	220500	294300	5400 g
GIHRK70-DO	70	154	232	49	55	77.9	M65x1.5	86	130	92	150	66	75	6	281700	396900	8500 g
GIHRK80-DO	80	176	265	55	60	89.4	M80x2	105	160	105	170	81	80	6	361800	495900	12000 g
GIHRK90-DO	90	206	323	60	65	98.1	M100x2	124	180	115	210	101	90	5	440100	729900	21500 g
GIHRK100-DO	100	231	360	70	70	109.5	M110x2	138	200	130	235	111	105	7	547200	828000	27500 g

免维护型用于液压部件的杆端关节轴承



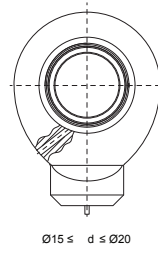
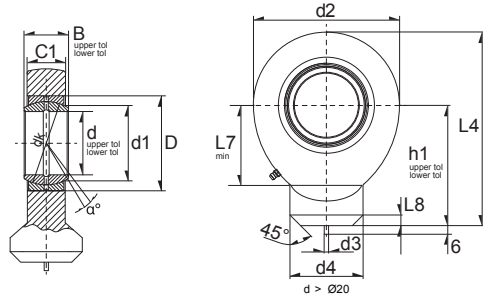
(MF) = Maintenance Free
(RM) = Requiring Maintenance



22

Ref	Dimension (mm)													α°	*Load Rating		Weight (g) approx.
	d	d2	L4	B	C1	d1	d3	d4	d5	dk	h1	L3	L7		C, dyn. N	C, stat. N	
GIHRK20-UK-2RS	20	56	80	16	19	24.2	M16x1.5	25	46	29	50	17	25	9	30000	72000	430 g
GIHRK25-UK-2RS	25	56	80	20	23	29.3	M16x1.5	25	46	35.5	50	17	28	7	48000	72000	480 g
GIHRK30-UK-2RS	30	64	94	22	28	34.2	M22x1.5	32	50	40.7	60	23	30	6	62000	106000	740 g
GIHRK35-UK-2RS	35	78	112	25	30	39.8	M28x1.5	40	66	47	70	29	38	6	80000	153000	1200 g
GIHRK40-UK-2RS	40	94	135	28	35	45.0	M35x1.5	49	76	53	85	36	45	7	100000	250000	2000 g
GIHRK50-UK-2RS	50	116	168	35	40	55.9	M45x1.5	61	90	66	105	46	55	6	156000	365000	3800 g
GIHRK60-UK-2RS	60	130	200	44	50	66.8	M58x1.5	75	120	80	130	59	65	6	245000	400000	5400 g
GIHRK70-UK-2RS	70	154	232	49	55	77.9	M65x1.5	86	130	92	150	66	75	6	315000	540000	8500 g
GIHRK80-UK-2RS	80	176	265	55	60	89.4	M80x2.0	105	160	105	170	81	80	6	400000	670000	12000 g
GIHRK90-UK-2RS	90	206	323	60	65	98.1	M100x2.0	124	180	115	210	101	90	5	490000	980000	21500 g
GIHRK100-UK-2RS	100	231	360	70	70	109.5	M110x2.0	138	200	130	235	111	105	7	610000	1120000	27500 g

需维护型用于液压部件的杆端关节轴承



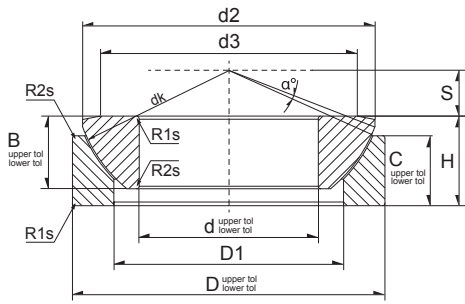
(MF) = Maintenance Free
(RM) = Requiring Maintenance



23

Ref	Dimension (mm)													α°	*Load Rating		Weight (g) approx.
	d	d2	B	C1	D	d1	d3	d4	dk	h1	L4	L7	L8		C, dyn. N	C, stat. N	
GK10-DO	10	29	9	7	19	13.2	3	15	16	24	38.5	15	1.5	12	7335	14040	41 g
GK12-DO	12	34	10	8	22	15	3	17.5	18	27	44	18	1.5	11	9720	19440	66 g
GK15-DO	15	40	12	10	26	18.4	4	21	22	31	51	20	2	8	15210	28620	120 g
GK17-DO	17	46	14	11	30	20.7	4	24	25	35	58	23	2	10	19170	36090	190 g
GK20-DO	20	53	16	13	35	24.2	4	27.5	29	38	64.5	27.5	2	9	26640	48330	230 g
GK25-DO	25	64	20	17	42	29.3	4	33.5	35.5	45	77	33	3	7	43470	63720	430 g
GK30-DO	30	73	22	19	47	34.2	4	40	40.7	51	87.5	37.5	3	6	56070	86130	640 g
GK35-DO	35	82	25	21	55	39.8	4	47	47	61	102	43	3	6	71910	115200	960 g
GK40-DO	40	92	28	23	62	45	4	52	53	69	115	48	4	7	89190	140400	1300 g
GK45-DO	45	102	32	27	68	50.8	6	58	60	77	128	52	4	7	115200	187200	1800 g
GK50-DO	50	112	35	30	75	55.9	6	62	66	88	144	59	4	6	141300	226800	2500 g
GK60-DO	60	135	44	38	90	66.8	6	70	80	100	167.5	72.5	4	6	220500	350100	3900 g
GK70-DO	70	160	49	42	105	77.9	6	80	92	115	195	86	5	6	281700	459900	6600 g
GK80-DO	80	180	55	47	120	89.4	6	95	105	141	231	98	5	6	361800	561600	8700 g

免维护型轴向关节轴承



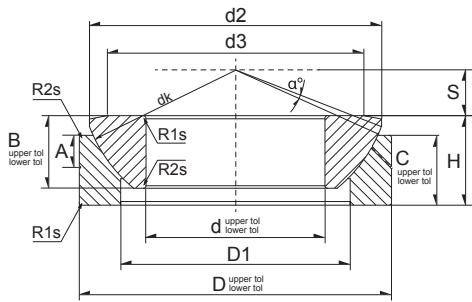
(MF) = Maintenance Free
(RM) = Requiring Maintenance



24

Ref	Dimension (mm)												α°	*Load Rating		Weight (g) approx.
	d	D	B	C	d1	d2	d3	dk	H	S	R1s	R2s		C, dyn. N	C, stat. N	
GE10-AW	10.0	30.0	7.9	6.0	16.5	27.5	21.0	32.0	9.5	7.0	0.6	0.2	10.0	36000	72000	40 g
GE12-AW	12.0	35.0	9.3	9.0	19.5	32.0	24.0	37.0	13.0	8.0	0.6	0.2	9.0	49000	98000	70 g
GE15-AW	15.0	42.0	10.7	11.0	24.0	38.9	29.0	45.0	15.0	10.0	0.6	0.2	7.0	78000	156000	120 g
GE17-AW	17.0	47.0	11.5	11.5	28.0	43.4	34.0	50.0	16.0	11.0	0.6	0.2	6.0	88000	176000	160 g
GE20-AW	20.0	55.0	14.3	13.0	33.5	50.0	40.0	60.0	20.0	12.5	1.0	0.3	6.0	112000	224000	250 g
GE25-AW	25.0	62.0	16.0	17.0	34.5	57.5	45.0	66.0	22.5	14.0	1.0	0.3	7.0	193000	390000	380 g
GE30-AW	30.0	75.0	18.0	19.5	44.0	69.0	56.0	80.0	26.0	17.5	1.0	0.3	6.0	255000	510000	650 g
GE35-AW	35.0	90.0	22.0	20.0	52.0	84.0	66.0	98.0	28.0	22.0	1.0	0.3	6.0	390000	780000	1000 g
GE40-AW	40.0	105.0	27.0	22.0	59.0	98.0	78.0	114.0	32.0	24.5	1.0	0.3	6.0	560000	1120000	1600 g
GE45-AW	45.0	120.0	31.0	25.0	68.0	112.0	89.0	130.0	36.5	27.5	1.0	0.3	6.0	735000	1460000	2400 g
GE50-AW	50.0	130.0	33.5	32.0	69.0	122.5	98.0	140.0	42.5	30.0	1.0	0.3	5.0	980000	1960000	3300 g
GE60-AW	60.0	150.0	37.0	33.0	86.0	140.0	108.0	160.0	45.0	35.0	1.0	0.3	7.0	1100000	2200000	4500 g
GE70-AW	70.0	160.0	40.0	36.0	95.0	149.5	121.0	170.0	50.0	35.0	1.0	0.3	6.0	1200000	2400000	5500 g
GE80-AW	80.0	180.0	42.0	36.0	108.0	168.0	130.0	194.0	50.0	42.5	1.0	0.3	6.0	1560000	3100000	7000 g
GE100-AW	100.0	210.0	50.0	42.0	133.0	195.5	155.0	220.0	59.0	45.0	1.0	0.3	7.0	1800000	3600000	10500 g
GE120-AW	120.0	230.0	52.0	45.0	154.0	214.0	170.0	245.0	64.0	52.5	1.0	0.3	8.0	1860000	3750000	13000 g

需维护型轴向关节轴承



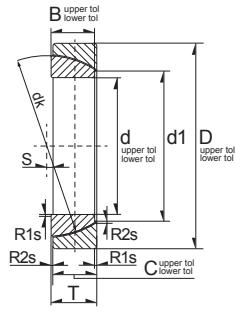
(MF) = Maintenance Free
(RM) = Requiring Maintenance



25

Ref	Dimension (mm)														α°	*Load Rating		Weight (g) approx.
	d	D	H	dk	d1	d2	d3	B	C	S	A	R1s	R2s	C, dyn. N		C, stat. N		
GE10-AX	10.0	30.0	9.5	32.0	16.5	27.5	21	7.9	6.0	7.0	3.0	0.6	0.2	10.0	21960	109800	40 g	
GE12-AX	12.0	35.0	13.0	37.0	19.5	32.0	24	9.3	9.0	8.0	4.0	0.6	0.2	9.0	29160	145800	70 g	
GE15-AX	15.0	42.0	15.0	45.0	24.0	38.9	29	10.7	11.0	10.0	5.0	0.6	0.2	7.0	46980	234900	120 g	
GE17-AX	17.0	47.0	16.0	50.0	28.0	43.4	34	11.5	11.5	11.0	5.0	0.6	0.15	6.0	53280	266400	160 g	
GE20-AX	20.0	55.0	20.0	60.0	33.5	50.0	40	14.3	13.0	12.5	6.0	1.0	0.3	6.0	67590	337500	250 g	
GE25-AX	25.0	62.0	22.5	66.0	34.5	57.5	45	16.0	17.0	14.0	6.0	1.0	0.3	7.0	116100	580500	380 g	
GE30-AX	30.0	75.0	26.0	80.0	44.0	69.0	56	18.0	19.5	17.5	8.0	1.0	0.3	6.0	152100	763200	650 g	
GE35-AX	35.0	90.0	28.0	98.0	52.0	84.0	66	22.0	20.0	22.0	8.0	1.0	0.3	6.0	233100	1161000	1000 g	
GE40-AX	40.0	105.0	32.0	114.0	59.0	98.0	78	27.0	22.0	24.5	9.0	1.0	0.3	6.0	335700	1674000	1600 g	
GE45-AX	45.0	120.0	36.5	130.0	68.0	112.0	89	31.0	25.0	27.5	11.0	1.0	0.3	6.0	437400	2187000	2400 g	
GE50-AX	50.0	130.0	42.5	140.0	69.0	122.5	98	33.5	32.0	30.0	10.0	1.0	0.3	5.0	585000	2925000	3300 g	

免维护型角接触关节轴承



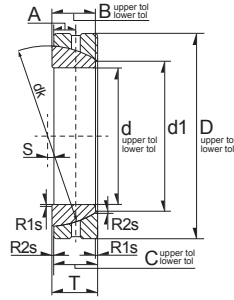
(MF) = Maintenance Free
(RM) = Requiring Maintenance



26

Ref	Dimension (mm)								*Load Rating		Weight (g) approx.
	d	D	T	B	C	d1	dk	S	C, dyn. N	C, stat. N	
GE25-SW	25.0	47.0	15.0	14.0	14.0	31.4	42.5	1.0	71000	140000	140 g
GE28-SW	28.0	52.0	16.0	15.0	15.0	35.7	47.0	1.0	90000	180000	180 g
GE30-SW	30.0	55.0	17.0	16.0	16.0	36.1	50.0	2.0	95000	190000	220 g
GE32-SW	32.0	58.0	17.0	17.0	16.0	37.5	52.0	2.0	102000	204000	240 g
GE35-SW	35.0	62.0	18.0	17.0	17.0	42.4	56.0	2.0	116000	232000	280 g
GE40-SW	40.0	68.0	19.0	18.0	18.0	46.8	60.0	1.5	134000	270000	340 g
GE45-SW	45.0	75.0	20.0	19.0	19.0	52.9	66.0	1.5	160000	320000	430 g
GE50-SW	50.0	80.0	20.0	19.0	19.0	59.1	74.0	4.0	176000	355000	470 g
GE55-SW	55.0	90.0	23.0	22.0	22.0	62.0	80.0	4.0	220000	440000	700 g
GE60-SW	60.0	95.0	23.0	22.0	22.0	68.1	86.0	5.0	240000	480000	750 g
GE65-SW	65.0	100.0	23.0	22.0	22.0	75.6	92.0	5.0	260000	520000	800 g
GE70-SW	70.0	110.0	25.0	24.0	24.0	82.2	102.0	7.0	315000	630000	1000 g
GE75-SW	75.0	115.0	25.0	25.0	25.0	84.4	107.0	7.9	345000	670000	1100 g
GE80-SW	80.0	125.0	29.0	27.0	27.0	90.5	115.0	10.0	375000	750000	1600 g
GE85-SW	85.0	130.0	29.0	29.0	26.5	94.8	122.0	9.4	425000	810000	1700 g
GE90-SW	90.0	140.0	32.0	30.0	30.0	103.3	130.0	11.0	480000	965000	2200 g
GE95-SW	95.0	145.0	32.0	32.0	29.5	104.4	135.0	10.8	500000	1000000	2300 g
GE100-SW	100.0	150.0	32.0	30.0	30.0	114.3	140.0	12.0	520000	1040000	2400 g
GE105-SW	105.0	160.0	35.0	35.0	32.5	113.8	148.0	12.3	565000	1250000	2900 g
GE110-SW	110.0	170.0	38.0	36.0	36.0	125.8	160.0	15.0	710000	1430000	3700 g
GE120-SW	120.0	180.0	38.0	36.0	36.0	135.4	170.0	17.0	765000	1530000	4000 g

需维护型角接触关节轴承

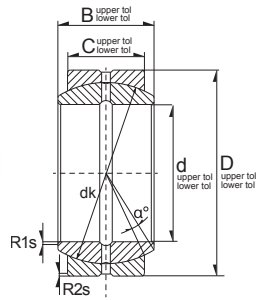


(MF) = Maintenance Free
(RM) = Requiring Maintenance



Ref	Dimension (mm)									α°	*Load Rating		Weight (g) approx.
	d	D	T	A	B	C	d1	dk	S		C, dyn. N	C, stat. N	
GE25-SX	25.0	47.0	15.0	7.5	14.0	14.0	31.4	42.5	1.0	7.5	43020	215100	130 g
GE28-SX	28.0	52.0	16.0	8.0	15.0	15.0	35.7	47.0	1.0	8.0	51930	259200	170 g
GE30-SX	30.0	55.0	17.0	8.5	16.0	16.0	36.1	50.0	2.0	8.5	58140	290700	210 g
GE32-SX	32.0	58.0	17.0	8.5	17.0	16.0	37.5	52.0	2.0	8.5	63900	318600	240 g
GE35-SX	35.0	62.0	18.0	9.0	17.0	17.0	42.4	56.0	2.0	9.0	70740	353700	270 g
GE40-SX	40.0	68.0	19.0	9.5	18.0	18.0	46.8	60.0	1.5	9.5	81720	408600	320 g
GE45-SX	45.0	75.0	20.0	10.0	19.0	19.0	52.9	66.0	1.5	10.0	95400	478800	410 g
GE50-SX	50.0	80.0	20.0	10.0	19.0	19.0	59.1	74.0	4.0	10.0	106200	532800	450 g
GE55-SX	55.0	90.0	23.0	11.5	22.0	22.0	62.0	80.0	4.0	11.5	134100	671400	1670 g
GE60-SX	60.0	95.0	23.0	11.5	22.0	22.0	68.1	86.0	5.0	11.5	144900	724500	720 g
GE65-SX	65.0	100.0	23.0	11.5	22.0	22.0	75.6	92.0	5.0	11.5	155700	780300	760 g
GE70-SX	70.0	110.0	25.0	12.5	24.0	24.0	82.2	102.0	7.0	12.5	188100	936000	1000 g
GE75-SX	75.0	115.0	25.0	12.5	25.0	24.0	84.4	107.0	7.9	12.5	198000	1016100	1100 g
GE80-SX	80.0	125.0	29.0	14.5	27.0	27.0	90.5	115.0	10.0	14.5	220500	1098000	1500 g
GE85-SX	85.0	130.0	29.0	14.5	29.0	26.5	94.8	122.0	9.4	14.5	255600	1279800	1600 g
GE90-SX	90.0	140.0	32.0	16.0	30.0	30.0	103.3	130.0	11.0	16.0	282600	1413000	2100 g
GE95-SX	95.0	145.0	32.0	16.0	32.0	29.5	104.4	135.0	10.8	16.0	301500	1575000	2200 g
GE100-SX	100.0	150.0	32.0	16.0	30.0	30.0	114.3	140.0	12.0	16.0	305100	1530000	2300 g
GE105-SX	105.0	160.0	35.0	17.5	35.0	32.5	113.8	148.0	12.3	17.5	380700	1904400	2900 g
GE110-SX	110.0	170.0	38.0	19.0	36.0	36.0	125.8	160.0	15.0	19.0	422100	2106000	3600 g
GE120-SX	120.0	180.0	38.0	19.0	36.0	36.0	135.4	170.0	17.0	19.0	449100	2241000	3900 g

需维护型向心关节轴承



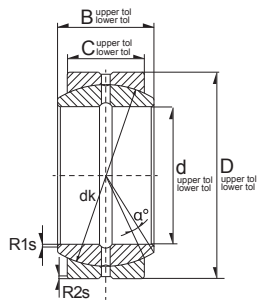
(MF) = Maintenance Free
(RM) = Requiring Maintenance



28

Ref	Dimension (mm)						α°	Mounting Dimensions da	*Load Rating		Weight (g) approx.
	d	D	B	C	Da	dk			C, dyn. N	C, stat. N	
GE17-DO-2RS	17.0	30.0	14.0	10.0	24.0	25.0	10.0	20.7	19170	95400	41 g
GE20-DO-2RS	20.0	35.0	16.0	12.0	27.5	29.0	9.0	24.2	26640	133200	65 g
GE25-DO-2RS	25.0	42.0	20.0	16.0	33.0	35.5	7.0	29.3	43470	216900	120 g
GE30-DO-2RS	30.0	47.0	22.0	18.0	38.0	40.7	6.0	34.2	56070	279900	150 g
GE35-DO-2RS	35.0	55.0	25.0	20.0	44.5	47.0	6.0	39.8	71910	360000	230 g
GE40-DO-2RS	40.0	62.0	28.0	22.0	51.0	53.0	7.0	45.0	89190	446400	320 g
GE45-DO-2RS	45.0	68.0	32.0	25.0	57.0	60.0	7.0	50.8	115200	575100	420 g
GE50-DO-2RS	50.0	75.0	35.0	28.0	63.0	66.0	6.0	56.0	141300	706500	560 g
GE60-DO-2RS	60.0	90.0	44.0	36.0	75.0	80.0	6.0	66.8	220500	1098000	1030 g
GE70-DO-2RS	70.0	105.0	49.0	40.0	87.0	92.0	6.0	77.9	281700	1404000	1560 g
GE80-DO-2RS	80.0	120.0	55.0	45.0	99.0	105.0	6.0	89.4	361800	1809000	2290 g
GE90-DO-2RS	90.0	130.0	60.0	50.0	108.0	115.0	5.0	98.1	440100	2196000	2760 g
GE100-DO-2RS	100.0	150.0	70.0	55.0	123.0	130.0	7.0	109.5	547200	2736000	4420 g
GE110-DO-2RS	110.0	160.0	70.0	55.0	134.0	140.0	6.0	121.2	589500	2952000	4800 g
GE120-DO-2RS	120.0	180.0	85.0	70.0	150.0	160.0	6.0	135.6	856800	4284000	8060 g
GE140-DO-2RS	140.0	210.0	90.0	70.0	173.0	180.0	7.0	155.9	963000	4824000	11200 g
GE160-DO-2RS	160.0	230.0	105.0	80.0	191.0	200.0	8.0	170.2	1224000	6120000	14200 g
GE180-DO-2RS	180.0	260.0	105.0	80.0	219.0	225.0	6.0	199.0	1377000	6885000	18600 g
GE200-DO-2RS	200.0	290.0	130.0	100.0	239.0	250.0	7.0	213.5	1917000	9540000	28500 g

需维护型向心关节轴承



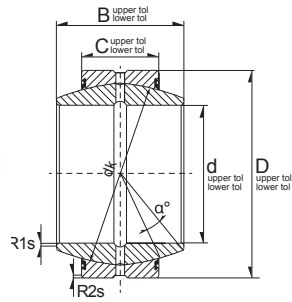
(MF) = Maintenance Free
(RM) = Requiring Maintenance



29

Ref	Dimension (mm)						α°	Mounting Dimensions da	*Load Rating		Weight (g) approx.
	d	D	B	C	Da	dk			C, dyn. N	C, stat. N	
GE6-DO	6.0	14.0	6.0	4.0	9.6	10.0	13.0	8.0	3060	15300	5 g
GE8-DO	8.0	16.0	8.0	5.0	12.5	13.0	15.0	10.2	5031	25200	7 g
GE10-DO	10.0	19.0	9.0	6.0	15.5	16.0	12.0	13.2	7344	36720	12 g
GE12-DO	12.0	22.0	10.0	7.0	17.5	18.0	11.0	14.9	9720	48600	17 g
GE15-DO	15.0	26.0	12.0	9.0	21.0	22.0	8.0	18.4	15210	76230	27 g
GE16-DO	16.0	30.0	14.0	10.0	24.0	25.0	10.0	20.7	19170	95400	34 g
GE17-DO	17.0	30.0	14.0	10.0	24.0	25.0	10.0	20.7	19170	95400	44 g
GE20-DO	20.0	35.0	16.0	12.0	27.5	29.0	9.0	24.2	26640	133200	65 g
GE25-DO	25.0	42.0	20.0	16.0	33.0	35.5	7.0	29.3	43470	216900	120 g
GE30-DO	30.0	47.0	22.0	18.0	38.0	40.7	6.0	34.2	56070	279900	150 g
GE35-DO	35.0	55.0	25.0	20.0	44.5	47.0	6.0	39.8	71910	360000	230 g
GE40-DO	40.0	62.0	28.0	22.0	51.0	53.0	7.0	45.0	89190	446400	320 g
GE45-DO	45.0	68.0	32.0	25.0	57.0	60.0	7.0	50.8	115200	575100	420 g
GE50-DO	50.0	75.0	35.0	28.0	63.0	66.0	6.0	56.0	141300	706500	560 g
GE60-DO	60.0	90.0	44.0	36.0	75.0	80.0	6.0	66.8	220500	1098000	1030 g
GE70-DO	70.0	105.0	49.0	40.0	87.0	92.0	6.0	77.9	281700	1404000	1560 g
GE80-DO	80.0	120.0	55.0	45.0	99.0	105.0	6.0	89.4	361800	1809000	2290 g
GE90-DO	90.0	130.0	60.0	50.0	108.0	115.0	5.0	98.1	440100	2196000	2760 g
GE100-DO	100.0	150.0	70.0	55.0	123.0	130.0	7.0	109.5	547200	2736000	4420 g
GE110-DO	110.0	160.0	70.0	55.0	134.0	140.0	6.0	121.2	589500	2952000	4800 g
GE120-DO	120.0	180.0	85.0	70.0	150.0	160.0	6.0	135.6	856800	4284000	8060 g
GE140-DO	140.0	210.0	90.0	70.0	173.0	180.0	7.0	155.9	963000	4824000	11200 g
GE160-DO	160.0	230.0	105.0	80.0	191.0	200.0	8.0	170.2	1224000	6120000	14200 g
GE180-DO	180.0	260.0	105.0	80.0	219.0	225.0	6.0	199.0	1377000	6885000	18600 g
GE200-DO	200.0	290.0	130.0	100.0	239.0	250.0	7.0	213.5	1917000	9540000	28500 g

需维护型向心关节轴承



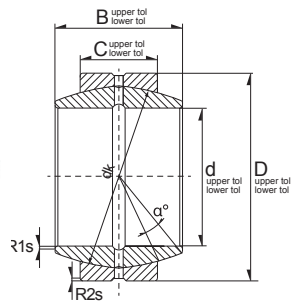
(MF) = Maintenance Free
(RM) = Requiring Maintenance



30

Ref	Dimension (mm)							Mounting Dimensions da	*Load Rating		Weight (g) approx.
	d	D	B	C	Da	dk	α°		C, dyn. N	C, stat. N	
GE15-FO-2RS	15.0	30.0	16.0	10.0	24.0	25.0	16.0	19.2	19170	95400	47 g
GE17-FO-2RS	17.0	35.0	20.0	12.0	27.5	29.0	19.0	21.0	26640	133200	79 g
GE20-FO-2RS	20.0	42.0	25.0	16.0	33.0	35.5	17.0	25.2	43470	216900	150 g
GE25-FO-2RS	25.0	47.0	28.0	18.0	38.0	40.7	17.0	29.5	56070	279900	200 g
GE30-FO-2RS	30.0	55.0	32.0	20.0	44.5	47.0	17.0	34.4	71910	360000	300 g
GE35-FO-2RS	35.0	62.0	35.0	22.0	51.0	53.0	16.0	39.8	89190	446400	400 g
GE40-FO-2RS	40.0	68.0	40.0	25.0	57.0	60.0	17.0	44.7	115200	575100	530 g
GE45-FO-2RS	45.0	75.0	43.0	28.0	63.0	66.0	15.0	50.1	141300	706500	690 g
GE50-FO-2RS	50.0	90.0	56.0	36.0	75.0	80.0	17.0	57.1	220500	1098000	1410 g
GE60-FO-2RS	60.0	105.0	63.0	40.0	87.0	92.0	17.0	67.0	281700	1404000	2100 g
GE70-FO-2RS	70.0	120.0	70.0	40.0	99.0	105.0	16.0	78.3	361800	1809000	3000 g
GE80-FO-2RS	80.0	130.0	75.0	50.0	108.0	115.0	14.0	87.2	440100	2196000	3600 g
GE90-FO-2RS	90.0	150.0	85.0	55.0	123.0	130.0	15.0	98.4	547200	2736000	5500 g
GE100-FO-2RS	100.0	160.0	85.0	55.0	134.0	140.0	14.0	111.2	589500	2952000	6000 g
GE110-FO-2RS	110.0	180.0	100.0	70.0	150.0	160.0	12.0	124.9	856800	4284000	9700 g
GE120-FO-2RS	120.0	210.0	115.0	70.0	173.0	180.0	16.0	138.5	963000	4824000	15100 g

需维护型向心关节轴承



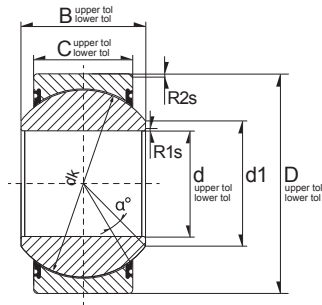
(MF) = Maintenance Free
(RM) = Requiring Maintenance



31

Ref	Dimension (mm)							Mounting Dimensions da	*Load Rating		Weight (g) approx.
	d	D	B	C	Da	dk	α°		C, dyn. N	C, stat. N	
GE6-FO	6.0	16.0	9.0	5.0	12.5	13.0	21.0	9.4	4950	24750	9 g
GE8-FO	8.0	19.0	11.0	6.0	15.5	16.0	21.0	11.6	7344	36720	15 g
GE10-FO	10.0	22.0	12.0	7.0	17.5	18.0	18.0	13.4	9720	48600	21 g
GE12-FO	12.0	26.0	15.0	9.0	21.0	22.0	18.0	16.1	15210	76230	37 g
GE15-FO	15.0	30.0	16.0	10.0	24.0	25.0	16.0	19.2	19170	95400	47 g
GE17-FO	17.0	35.0	20.0	12.0	27.5	29.0	19.0	21.0	26640	133200	79 g
GE20-FO	20.0	42.0	25.0	16.0	33.0	35.5	17.0	25.2	43470	216900	150 g
GE25-FO	25.0	47.0	28.0	18.0	38.0	40.7	17.0	29.5	56070	279900	200 g
GE30-FO	30.0	55.0	32.0	20.0	44.5	47.0	17.0	34.4	71910	360000	300 g
GE35-FO	35.0	62.0	35.0	22.0	51.0	53.0	16.0	39.8	89190	446400	400 g
GE40-FO	40.0	68.0	40.0	25.0	57.0	60.0	17.0	44.7	115200	575100	530 g
GE45-FO	45.0	75.0	43.0	28.0	63.0	66.0	15.0	50.1	141300	706500	690 g
GE50-FO	50.0	90.0	56.0	36.0	75.0	80.0	17.0	57.1	220500	1098000	1410 g
GE60-FO	60.0	105.0	63.0	40.0	87.0	92.0	17.0	67.0	281700	1404000	2100 g
GE70-FO	70.0	120.0	70.0	45.0	99.0	105.0	16.0	78.3	361800	1809000	3000 g
GE80-FO	80.0	130.0	75.0	50.0	108.0	115.0	14.0	87.2	440100	2196000	3600 g
GE90-FO	90.0	150.0	85.0	55.0	123.0	130.0	15.0	98.4	547200	2736000	5500 g
GE100-FO	100.0	160.0	85.0	55.0	134.0	140.0	14.0	111.2	589500	2952000	6000 g
GE110-FO	110.0	180.0	100.0	70.0	150.0	160.0	12.0	124.9	856800	4284000	9700 g
GE120-FO	120.0	210.0	115.0	70.0	173.0	180.0	16.0	138.5	963000	4824000	15100 g

免维护型向心关节轴承

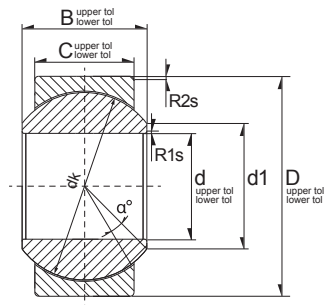


(MF) = Maintenance Free
(RM) = Requiring Maintenance



Ref	Dimension (mm)								*Load Rating		Weight (g) approx.
	d	D	B	C	dk	R1s	R2s	α°	C, dyn. N	C, stat. N	
GE15-FW-2RS	15.0	30.0	16.0	10.0	25.0	0.3	0.3	16.0	20250	50670	46 g
GE17-FW-2RS	17.0	35.0	20.0	12.0	29.0	0.3	0.3	19.0	28170	70470	78 g
GE20-FW-2RS	20.0	42.0	25.0	16.0	35.5	0.6	0.6	17.0	45990	115200	150 g
GE25-FW-2RS	25.0	47.0	28.0	18.0	40.7	0.6	0.6	17.0	59310	148500	190 g
GE30-FW-2RS	30.0	55.0	32.0	20.0	47.0	0.6	1.0	17.0	190800	317700	290 g
GE35-FW-2RS	35.0	62.0	35.0	22.0	53.0	0.6	1.0	16.0	252000	419400	390 g
GE40-FW-2RS	40.0	68.0	40.0	25.0	60.0	0.6	1.0	17.0	324000	540000	520 g
GE45-FW-2RS	45.0	75.0	43.0	28.0	66.0	0.6	1.0	15.0	399600	665100	680 g
GE50-FW-2RS	50.0	90.0	56.0	36.0	80.0	0.6	1.0	17.0	621900	1035000	1400 g
GE60-FW-2RS	60.0	105.0	63.0	40.0	92.0	1.0	1.0	17.0	794700	1323000	2000 g
GE70-FW-2RS	70.0	120.0	70.0	45.0	105.0	1.0	1.0	16.0	1017000	1701000	2900 g
GE80-FW-2RS	80.0	130.0	75.0	50.0	115.0	1.0	1.0	14.0	1242000	2070000	3500 g
GE90-FW-2RS	90.0	150.0	85.0	55.0	130.0	1.0	1.0	15.0	1548000	2574000	5400 g
GE100-FW-2RS	100.0	160.0	85.0	55.0	140.0	1.0	1.0	14.0	1665000	2772000	6000 g
GE110-FW-2RS	110.0	180.0	100.0	70.0	160.0	1.0	1.0	12.0	2421000	4032000	9700 g
GE120-FW-2RS	120.0	210.0	115.0	70.0	180.0	1.0	1.0	16.0	2718000	4536000	14000 g
GE140-FW-2RS	140.0	230.0	130.0	80.0	200.0	1.0	1.0	16.0	3456000	5760000	19000 g
GE160-FW-2RS	160.0	260.0	135.0	80.0	225.0	1.1	1.1	16.0	3888000	6480000	24700 g
GE180-FW-2RS	180.0	290.0	155.0	100.0	250.0	1.1	1.1	14.0	5400000	9000000	35900 g
GE200-FW-2RS	200.0	320.0	165.0	100.0	275.0	1.1	1.1	15.0	5940000	9900000	45300 g
GE220-FW-2RS	220.0	340.0	175.0	100.0	300.0	1.1	1.1	16.0	6480000	10800000	51100 g
GE240-FW-2RS	240.0	370.0	190.0	110.0	325.0	1.1	1.1	15.0	7722000	12870000	65100 g
GE260-FW-2RS	260.0	400.0	205.0	120.0	350.0	1.1	1.1	15.0	9090000	15120000	82400 g
GE280-FW-2RS	280.0	430.0	210.0	120.0	375.0	1.1	1.1	15.0	9720000	16200000	97200 g

免维护型向心关节轴承



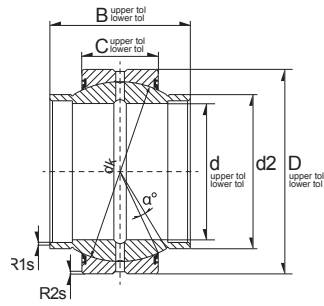
(MF) = Maintenance Free
(RM) = Requiring Maintenance



33

Ref	Dimension (mm)									*Load Rating		Weight (g) approx.
	d	D	B	C	d1	dk	R1s	R2s	α°	C, dyn. N	C, stat. N	
GE6-FW	6.0	16.0	9.0	5.0	9.0	13.0	0.3	0.3	21.0	5265	13140	8 g
GE8-FW	8.0	19.0	11.0	6.0	11.0	16.0	0.3	0.3	21.0	7776	19440	14 g
GE10-FW	10.0	22.0	12.0	7.0	13.0	18.0	0.3	0.3	18.0	10170	25560	21 g
GE12-FW	12.0	26.0	15.0	9.0	16.0	22.0	0.3	0.3	18.0	16020	40140	33 g
GE15-FW	15.0	30.0	16.0	10.0	19.0	25.0	0.3	0.3	16.0	20250	50670	49 g
GE17-FW	17.0	35.0	20.0	12.0	21.0	29.0	0.3	0.3	19.0	28170	70470	83 g
GE20-FW	20.0	42.0	25.0	16.0	24.0	35.5	0.3	0.3	17.0	45990	115200	153 g
GE25-FW	25.0	47.0	28.0	18.0	29.0	40.7	0.6	0.6	17.0	59310	148500	203 g

需维护型向心关节轴承



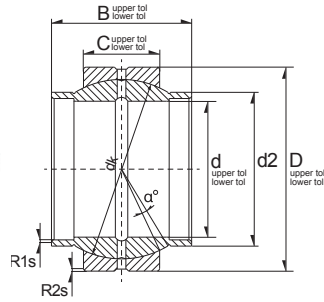
(MF) = Maintenance Free
(RM) = Requiring Maintenance



34

Ref	Dimension (mm)								Mounting Dimensions da	*Load Rating		Weight (g) approx.
	d	D	B	C	da	d2	dk	α°		C, dyn. N	C, stat. N	
GE20-HO-2RS	20.0	35.0	24.0	12.0	24.0	24.0	29.0	3.0	27.5	26640	133200	70 g
GE25-HO-2RS	25.0	42.0	29.0	16.0	29.0	29.0	35.5	3.0	33.0	43470	216900	130 g
GE30-HO-2RS	30.0	47.0	30.0	18.0	34.2	34.2	40.7	3.0	38.0	56070	279900	160 g
GE35-HO-2RS	35.0	55.0	35.0	20.0	40.0	40.0	47.0	3.0	44.5	71910	360000	250 g
GE40-HO-2RS	40.0	62.0	38.0	22.0	45.0	45.0	53.0	3.0	51.0	89190	446400	330 g
GE45-HO-2RS	45.0	68.0	40.0	25.0	51.5	51.5	60.0	3.0	57.0	115200	575100	440 g
GE50-HO-2RS	50.0	75.0	43.0	28.0	56.5	56.5	66.0	3.0	63.0	141300	706500	580 g
GE60-HO-2RS	60.0	90.0	54.0	36.0	67.7	67.7	80.0	3.0	75.0	220500	1098000	1060 g
GE70-HO-2RS	70.0	105.0	65.0	40.0	78.0	78.0	92.0	3.0	87.0	281700	1404000	1640 g
GE80-HO-2RS	80.0	120.0	74.0	45.0	90.0	90.0	105.0	3.0	99.0	361800	1809000	2440 g
GE90-HO-2RS	90.0	130.0	80.0	50.0	99.0	99.0	115.0	3.0	108.0	440100	2196000	2900 g
GE100-HO-2RS	100.0	150.0	90.0	55.0	113.0	113.0	130.0	3.0	123.0	547200	2736000	4600 g
GE110-HO-2RS	110.0	160.0	90.0	55.0	124.0	124.0	140.0	3.0	134.0	589500	2952000	5180 g
GE120-HO-2RS	120.0	180.0	108.0	70.0	138.0	138.0	160.0	3.0	150.0	856800	4284000	8700 g

需维护型向心关节轴承



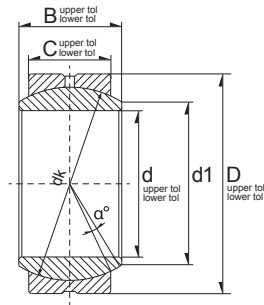
(MF) = Maintenance Free
(RM) = Requiring Maintenance



35

Ref	Dimension (mm)									*Load Rating		Weight (g) approx.
	d	D	B	C	d2	dk	R1s	R2s	α°	C, dyn. N	C, stat. N	
GE12-LO	12.0	22.0	12.0	7.0	15.5	18.0	0.3	0.3	4.0	9720	48600	22 g
GE16-LO	16.0	28.0	16.0	9.0	20.0	23.0	0.3	0.3	4.0	15930	79740	35 g
GE20-LO	20.0	35.0	20.0	12.0	25.0	29.0	0.3	0.3	4.0	26640	133200	70 g
GE25-LO	25.0	42.0	25.0	16.0	30.5	35.5	0.6	0.6	4.0	43470	21690	120 g
GE30-LO	30.0	47.0	30.0	18.0	34.0	40.7	0.6	0.6	4.0	55800	279000	168 g
GE32-LO	32.0	52.0	32.0	18.0	37.0	44.0	0.6	1.0	4.0	60570	303300	200 g
GE35-LO	35.0	55.0	35.0	20.0	40.0	47.0	0.6	1.0	4.0	71100	359100	253 g
GE40-LO	40.0	62.0	40.0	22.0	46.0	53.0	0.6	1.0	4.0	89190	446400	340 g
GE45-LO	45.0	68.0	45.0	25.0	52.0	60.0	0.6	1.0	4.0	114300	573300	481 g
GE50-LO	50.0	75.0	50.0	28.0	57.0	66.0	0.6	1.0	4.0	141300	706500	560 g
GE60-LO	60.0	90.0	60.0	36.0	68.0	80.0	1.0	1.0	4.0	220500	1098000	1150 g
GE63-LO	63.0	95.0	63.0	36.0	71.5	83.0	1.0	1.0	4.0	228600	1143000	1200 g
GE70-LO	70.0	105.0	70.0	40.0	78.0	92.0	1.0	1.0	4.0	281700	1404000	1700 g
GE80-LO	80.0	120.0	80.0	45.0	91.0	105.0	1.0	1.0	4.0	361800	1809000	2400 g
GE90-LO	90.0	130.0	90.0	50.0	99.0	115.0	1.0	1.0	4.0	440100	2196000	3200 g
GE100-LO	100.0	150.0	100.0	55.0	113.0	130.0	1.0	1.0	4.0	547200	2736000	4800 g
GE110-LO	110.0	160.0	110.0	55.0	124.0	140.0	1.0	1.0	4.0	589500	2952000	5780 g
GE125-LO	125.0	180.0	125.0	70.0	138.0	160.0	1.0	1.0	4.0	856800	4284000	8490 g

需维护型向心关节轴承



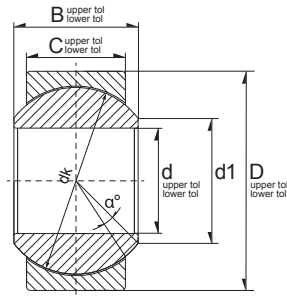
(MF) = Maintenance Free
(RM) = Requiring Maintenance



36

Ref	Dimension (mm)								*Load Rating		Weight (g) approx.
	d	D	B	C	Da	da	dK	α°	C, dyn. N	C, stat. N	
GE6-PB	6.0	16.0	9.0	6.75	11.5	9.0	12.7	13.0	3888	9720	11 g
GE8-PB	8.0	19.0	12.0	9.0	14.0	10.4	15.875	14.0	6426	16110	19 g
GE10-PB	10.0	22.0	14.0	10.5	17.0	12.9	19.05	13.0	9000	22500	28 g
GE12-PB	12.0	26.0	16.0	12.0	19.5	15.4	22.225	13.0	11970	29970	45 g
GE14-PB	14.0	28.0	19.0	13.5	22.5	16.9	25.4	16.0	15390	38610	55 g
GE16-PB	16.0	32.0	21.0	15.0	25.5	19.4	28.575	15.0	19260	48240	82 g
GE18-PB	18.0	35.0	23.0	16.5	28.5	21.9	31.75	15.0	23580	58950	110 g
GE20-PB	20.0	40.0	25.0	18.0	31.5	24.4	34.925	14.0	28260	70740	150 g
GE22-PB	22.0	42.0	28.0	20.0	34.0	25.8	38.1	15.0	34290	85770	180 g
GE25-PB	25.0	47.0	31.0	22.0	38.5	29.6	42.85	15.0	42390	106200	240 g
GE30-PB	30.0	55.0	37.0	25.0	46.0	34.8	50.8	17.0	57150	143100	390 g

免维护型向心关节轴承



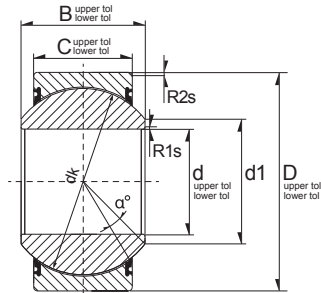
(MF) = Maintenance Free
(RM) = Requiring Maintenance



37

Ref	Dimension (mm)								*Load Rating		Weight (g) approx.
	d	D	B	C	Da	da	dK	α°	C, dyn. N	C, stat. N	
GE6-PW	6.0	16.0	9.0	6.75	11.5	8.9	12.7	13.0	6975	17460	11 g
GE8-PW	8.0	19.0	12.0	9.0	14.0	10.3	15.875	14.0	11610	28890	17 g
GE10-PW	10.0	22.0	14.0	10.5	17.0	12.9	19.05	13.0	16290	40680	27 g
GE12-PW	12.0	26.0	16.0	12.0	19.5	15.4	22.225	13.0	21600	54000	43 g
GE14-PW	14.0	28.0	19.0	13.5	22.5	16.9	25.4	16.0	27900	69750	54 g
GE16-PW	16.0	32.0	21.0	15.0	25.5	19.4	28.575	15.0	34740	86760	79 g
GE18-PW	18.0	35.0	23.0	16.5	28.5	21.9	31.75	15.0	42570	106200	100 g
GE20-PW	20.0	40.0	25.0	18.0	31.5	24.4	34.925	14.0	50940	126900	150 g
GE22-PW	22.0	42.0	28.0	20.0	34.0	25.8	38.1	15.0	61740	153900	180 g
GE25-PW	25.0	47.0	31.0	22.0	38.5	29.6	42.85	15.0	76320	190800	240 g
GE30-PW	30.0	55.0	37.0	25.0	46.0	34.8	50.8	17.0	102600	257400	380 g

免维护型向心关节轴承



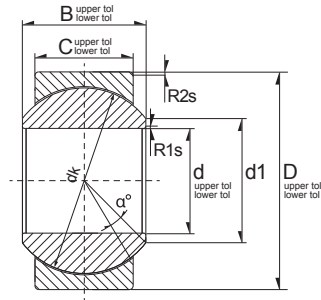
(MF) = Maintenance Free
(RM) = Requiring Maintenance



38

Ref	Dimension (mm)							*Load Rating		Weight (g) approx.
	d	D	B	C	d1	dk	α°	C, dyn. N	C, stat. N	
GE15-UK-2RS	15.0	26.0	12.0	9.0	18.0	22.0	9.0	16020	40140	35 g
GE17-UK-2RS	17.0	30.0	14.0	10.0	20.0	25.0	10.0	43920	73170	41 g
GE20-UK-2RS	20.0	35.0	16.0	12.0	24.0	29.0	9.0	61110	101700	66 g
GE25-UK-2RS	25.0	42.0	20.0	16.0	29.0	35.5	7.0	115200	191700	119 g
GE30-UK-2RS	30.0	47.0	22.0	18.0	34.0	40.7	6.0	148500	247500	153 g
GE35-UK-2RS	35.0	55.0	25.0	20.0	39.0	47.0	6.0	190800	317700	233 g
GE40-UK-2RS	40.0	62.0	28.0	22.0	45.0	53.0	7.0	252000	419400	306 g
GE45-UK-2RS	45.0	68.0	32.0	25.0	50.0	60.0	7.0	324000	540000	427 g
GE50-UK-2RS	50.0	75.0	35.0	28.0	55.0	66.0	6.0	399600	665100	546 g
GE60-UK-2RS	60.0	90.0	44.0	36.0	66.0	80.0	6.0	621900	1035000	1040 g
GE70-UK-2RS	70.0	105.0	49.0	40.0	77.0	92.0	6.0	794700	1323000	1550 g
GE80-UK-2RS	80.0	120.0	55.0	45.0	88.0	105.0	6.0	1017000	1701000	231 g
GE90-UK-2RS	90.0	130.0	60.0	50.0	98.0	115.0	5.0	1242000	2070000	2750 g
GE100-UK-2RS	100.0	150.0	70.0	55.0	109.0	130.0	7.0	1548000	2574000	4450 g
GE110-UK-2RS	110.0	160.0	70.0	55.0	121.0	140.0	6.0	1665000	2772000	4820 g
GE120-UK-2RS	120.0	180.0	85.0	70.0	135.0	160.0	6.0	2421000	4032000	8050 g
GE140-UK-2RS	140.0	210.0	90.0	70.0	155.0	180.0	7.0	2718000	4536000	11020 g
GE160-UK-2RS	160.0	230.0	105.0	80.0	170.0	200.0	8.0	3456000	5760000	14010 g
GE180-UK-2RS	180.0	260.0	105.0	80.0	199.0	225.0	6.0	3888000	6480000	18650 g
GE200-UK-2RS	200.0	290.0	130.0	100.0	213.0	250.0	7.0	5400000	9000000	28030 g

免维护型向心关节轴承



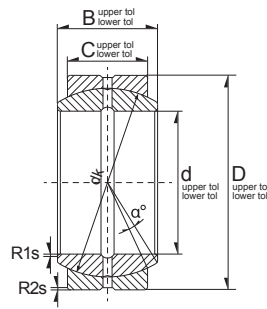
(MF) = Maintenance Free
(RM) = Requiring Maintenance



39

Ref	Dimension (mm)							*Load Rating		Weight (g) approx.
	d	D	B	C	d1	dk	α°	C, dyn. N	C, stat. N	
GE6-UK	6.0	14.0	6.0	4.0	8.0	10.0	13.0	3240	8100	4 g
GE8-UK	8.0	16.0	8.0	5.0	10.0	13.0	15.0	5265	13140	8 g
GE10-UK	10.0	19.0	9.0	6.0	13.0	16.0	12.0	7776	19440	11 g
GE12-UK	12.0	22.0	10.0	7.0	15.0	18.0	10.0	10170	25560	15 g
GE15-UK	15.0	26.0	12.0	9.0	18.0	22.0	8.0	16020	40140	27 g
GE17-UK	17.0	30.0	14.0	10.0	20.0	25.0	10.0	20250	50670	41 g
GE20-UK	20.0	35.0	16.0	12.0	24.0	29.0	9.0	28170	70470	66 g
GE25-UK	25.0	42.0	20.0	16.0	29.0	35.5	7.0	45990	115200	119 g
GE30-UK	30.0	47.0	22.0	18.0	34.0	40.7	6.0	59310	148500	163 g

需维护型向心关节轴承



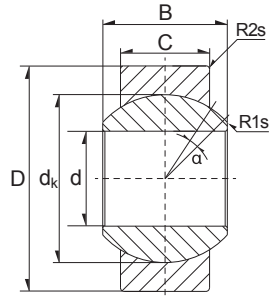
(MF) = Maintenance Free
(RM) = Requiring Maintenance



40

Ref	Dimension (mm)							Mounting Dimensions da	*Load Rating		Weight (g) approx.
	d	D	B	C	Da	dk	α°		C, dyn. N	C, stat. N	
GE19-ZO	19.05	31.75	16.662	14.275	24.5	27.5	6	21.9	28260	84780	52 g
GE22-ZO	22.225	36.513	19.431	16.662	28.5	32.0	6	25.4	38340	115200	85 g
GE25-ZO	25.4	41.275	22.225	19.05	31.5	35.5	6	27.7	48600	145800	130 g
GE31-ZO	31.75	50.8	27.762	23.8	40.5	45.5	6	36.0	77850	233100	230 g
GE34-ZO	34.925	55.563	30.15	26.187	43.5	49.0	6	38.6	91800	276300	300 g
GE38-ZO	38.1	61.913	33.325	28.575	46.5	53.0	6	41.2	108900	327600	410 g
GE44-ZO	44.45	71.438	38.887	33.325	57.0	63.9	6	50.9	153900	460800	640 g
GE50-ZO	50.8	80.963	44.45	38.1	65.0	73.0	6	57.9	200700	601200	940 g
GE57-ZO	57.15	90.488	50.013	42.85	73.0	82.0	6	65.0	252900	759600	1600 g
GE63-ZO	63.5	100.013	55.55	47.625	82.0	92.0	6	73.3	315900	945000	1780 g
GE69-ZO	69.85	111.125	61.112	52.375	89.0	100.0	6	79.2	377100	1134000	2410 g
GE76-ZO	76.2	120.65	66.675	57.15	98.0	109.5	6	86.9	450000	1350000	3100 g

需维护型向心关节轴承



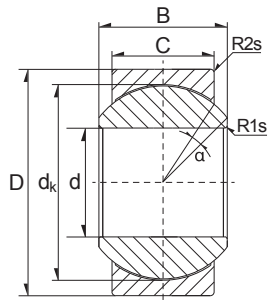
(MF) = Maintenance Free
(RM) = Requiring Maintenance



41

Ref	Dimension (mm)								*Load Rating		Weight (g) approx.
	d	D	B	C	dk	R1s	R2s	α°	C, dyn. N	C, stat. N	
GE6-E	6.0	14.0	6.0	4.0	10.0	0.3	0.3	13.0	3060	15300	4 g
GE8-E	8.0	16.0	8.0	5.0	13.0	0.3	0.3	15.0	4950	24750	7 g
GE10-E	10.0	19.0	9.0	6.0	16.0	0.3	0.3	12.0	7335	36450	11 g
GE12-E	12.0	22.0	10.0	7.0	18.0	0.3	0.3	11.0	9720	48600	16 g

免维护型向心关节轴承



(MF) = Maintenance Free
(RM) = Requiring Maintenance



Ref	Dimension (mm)						*Load Rating		Weight (g) approx.
	d	D	B	C	dk	α°	C, dyn. N	C, stat. N	
GE6-C	6.0	14.0	6.0	4.0	10.0	13.0	3240	8100	4 g
GE8-C	8.0	16.0	8.0	5.0	13.0	15.0	5265	13140	8 g
GE10-C	10.0	19.0	9.0	6.0	16.0	12.0	7785	19440	12 g
GE12-C	12.0	22.0	10.0	7.0	18.0	10.0	10260	25650	17 g
GE15-C	15.0	26.0	12.0	9.0	22.0	8.0	16200	40500	32 g
GE17-C	17.0	30.0	14.0	10.0	25.0	10.0	20160	50400	50 g
GE20-C	20.0	35.0	16.0	12.0	29.0	9.0	28350	70200	65 g

www.zen.biz

版权所有。
未经版权所有人明确许可，不得擅自复制、摘录、更改该目录册的任何部分。

v.10 / 18



Bearings for your future